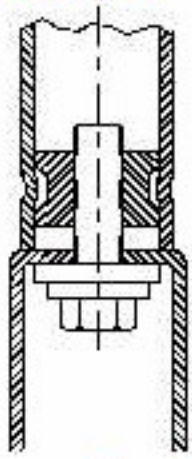
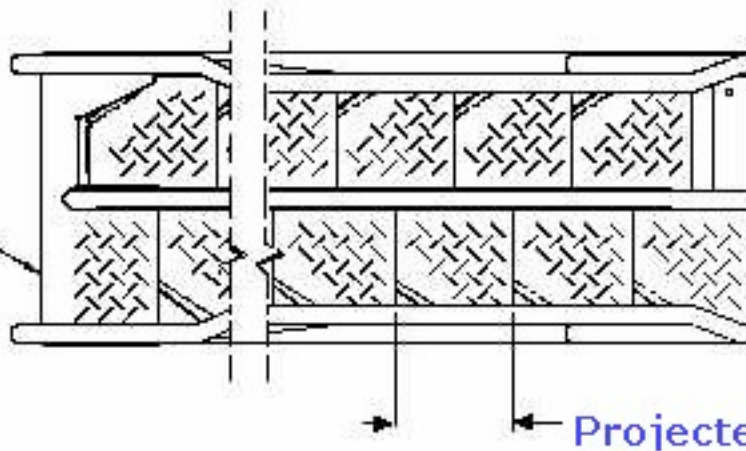


**DO NOT SCALE!**



Top tread to be level with roof or upper floor surface

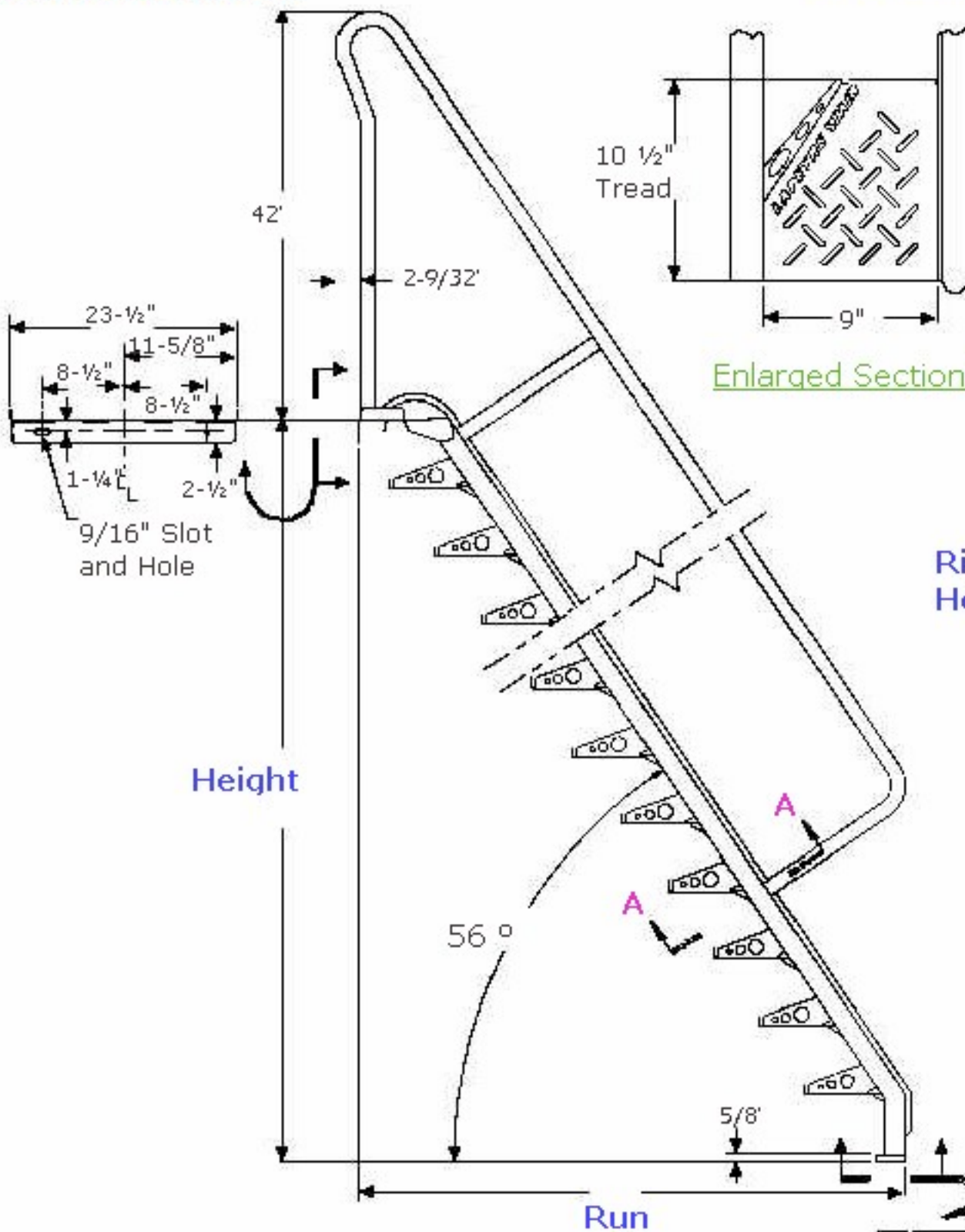


**LAPEYRE STAIR, INC.**  
**PO Box 50699**  
**New Orleans, LA 70123**

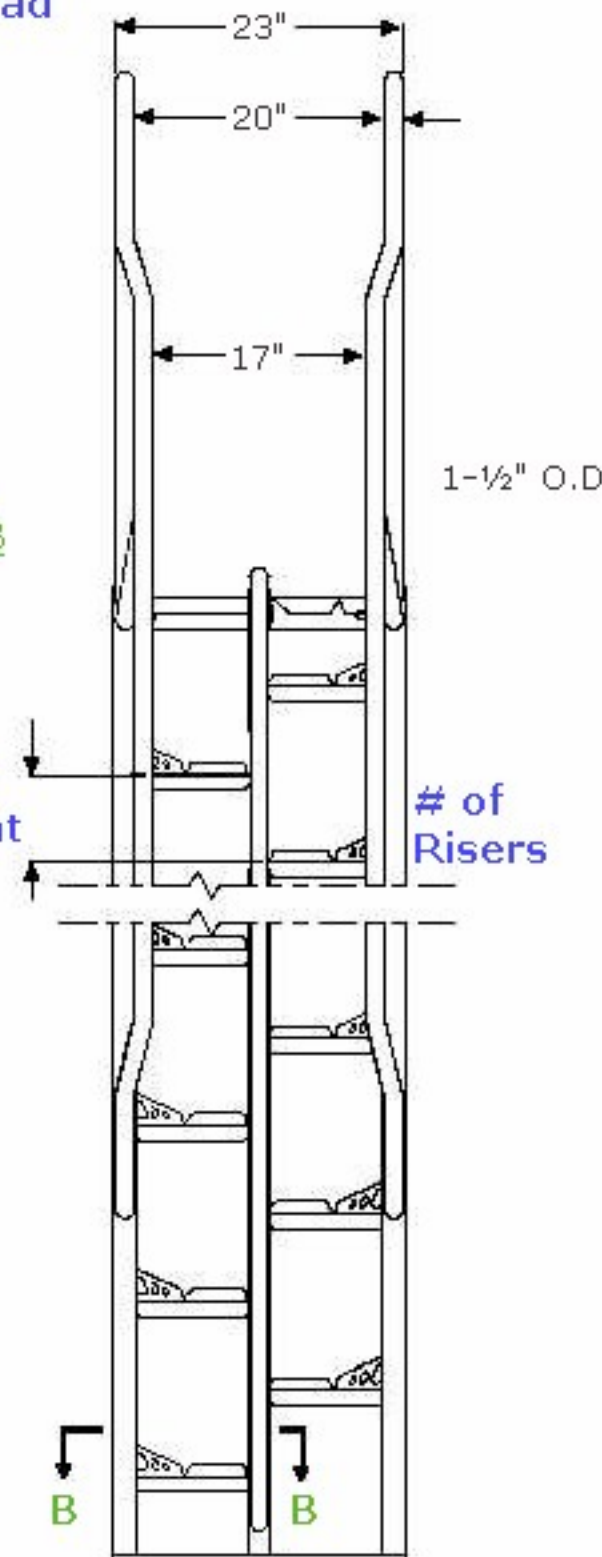
**Toll Free (800) 535-7631**  
**Local Phone (504) 733-6009**  
**Fax (504) 733-4393**

Enlarged Section A-A

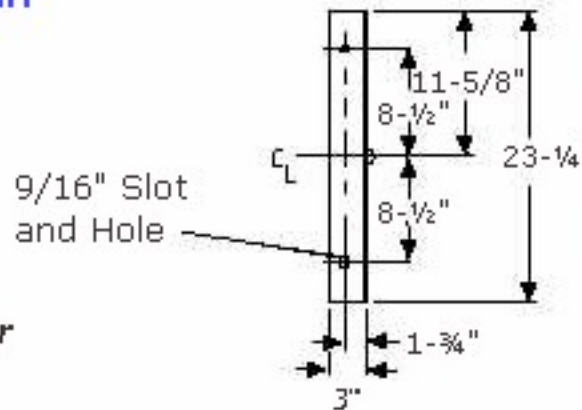
Projected Tread



Enlarged Section B-B



The following dimensions should be calculated based on your vertical height requirement: Run, Projected Tread, Riser Height, and Number of Risers.



To reduce vibration, stairs in excess of 15' may require customer supplied sway bracing.

For vertical heights in excess of 15', Lapeyre Stair recommends an intermediate platform with two stairs of equal heights.

*Lapeyre Stair manufactures products under one or more U.S. and Foreign patents.*

**Meets Federal OSHA Requirements**