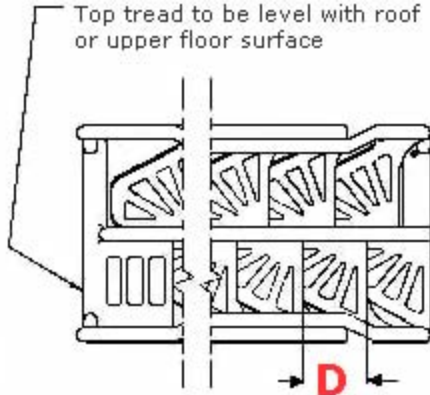
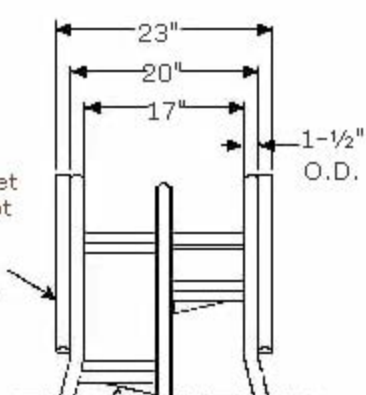


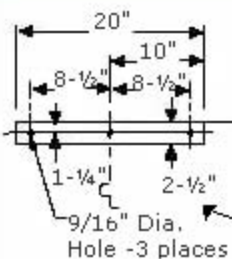
Enlarged Section F-F



NOTE: Offset Handrails not included on stairs less than 61-1/2".



Enlarged Section E-E



To reduce vibration, stairs in excess of 15' may require customer supplied sway bracing.

For vertical heights in excess of 15', Lapeyre Stair recommends an intermediate platform with two stairs of equal heights.

Meets Federal OSHA Requirements

