

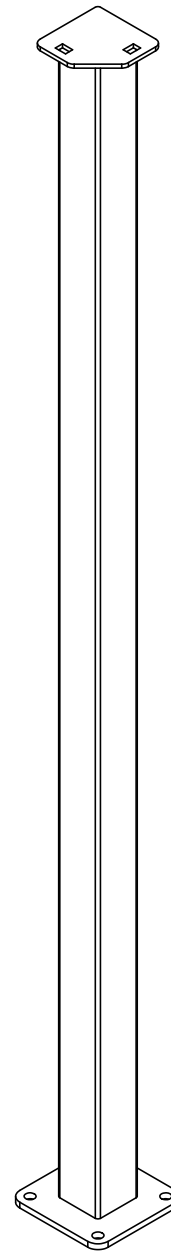
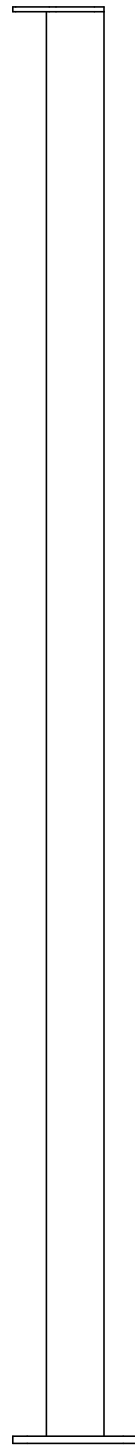
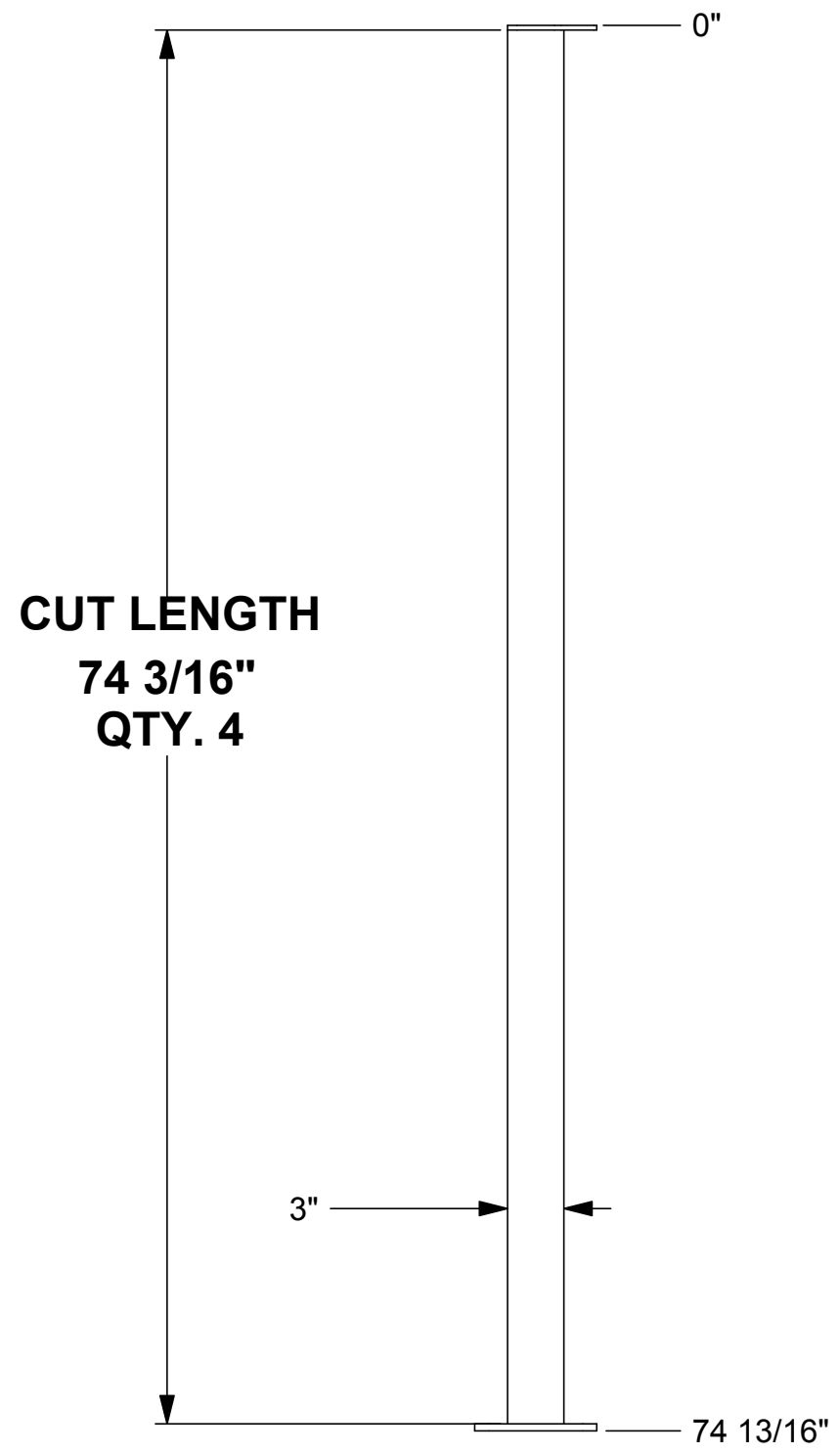
Customer:

LEG ASSEMBLY

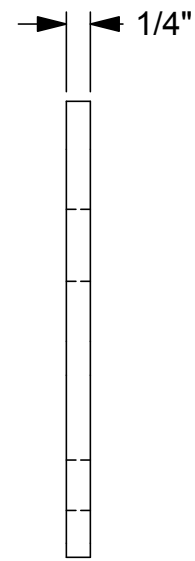
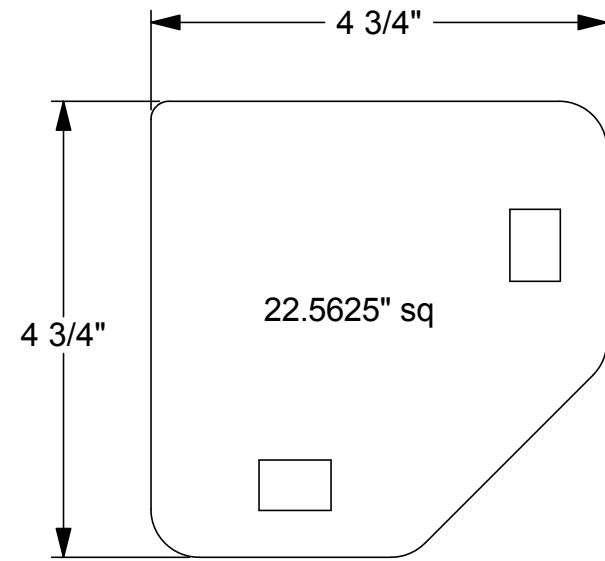
DWG#:

NUMBER REQUIRED:

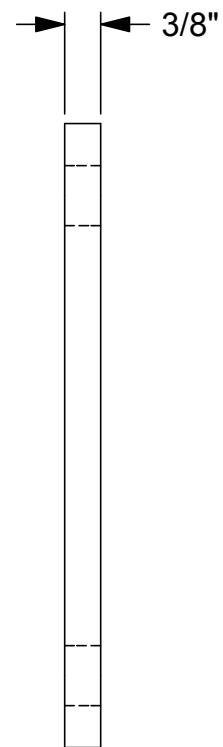
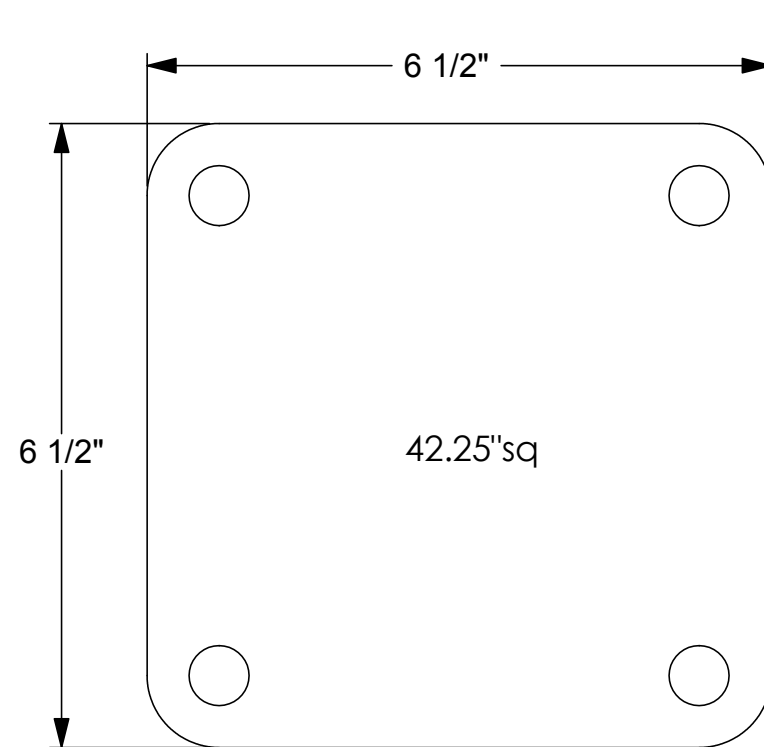
SHOP ORDER #



Customer:
LEG WELDMENT
DWG#:
NUMBER REQUIRED:
SHOP ORDER #



QTY. 4
LEGS_S1_108



QTY. 4
LEGS_09

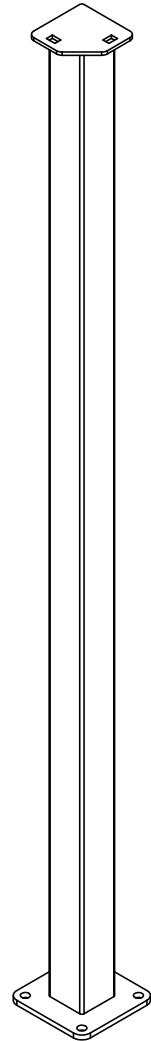
Customer:

LEG ASSEMBLY

DWG#:

NUMBER REQUIRED:

SHOP ORDER #



Customer:

LEG WELDMENT NO X-BRACE

DWG#:

NUMBER REQUIRED:

SHOP ORDER #