

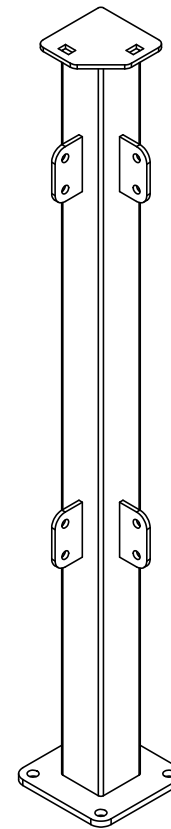
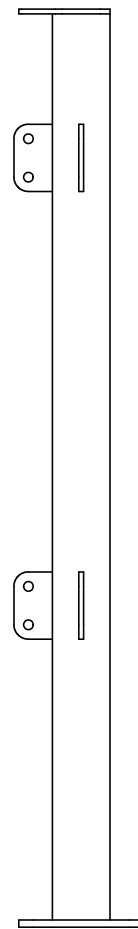
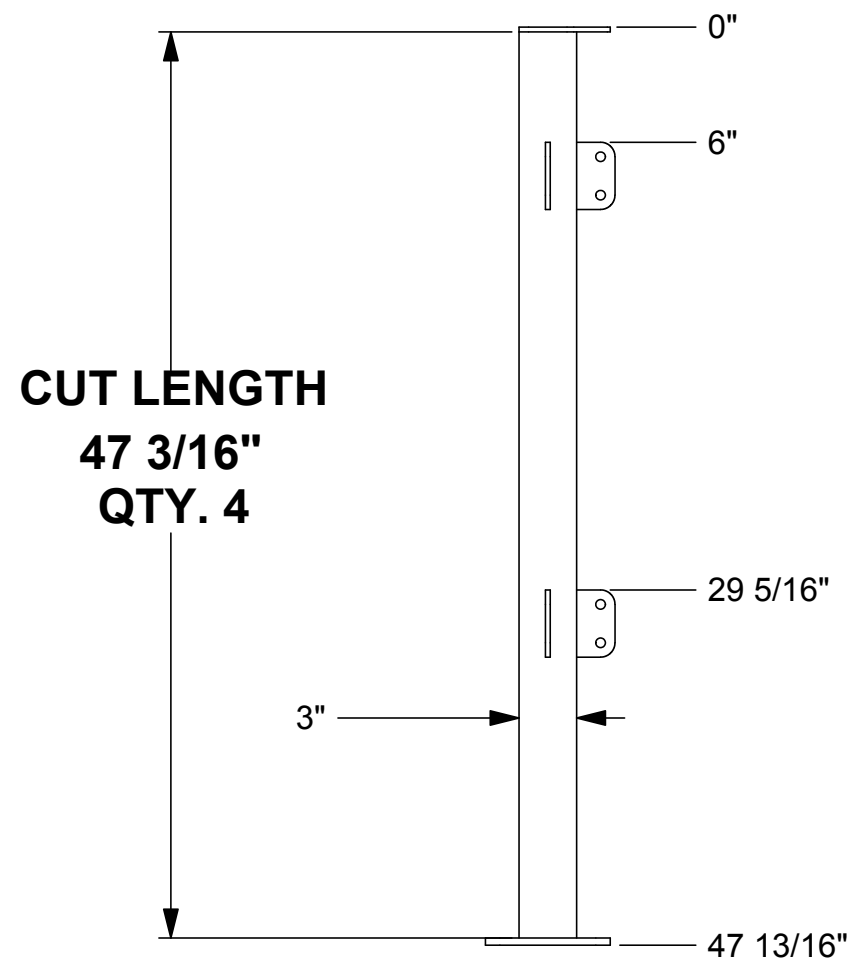
Customer:

LEG ASSEMBLY

DWG#:

NUMBER REQUIRED:

SHOP ORDER #



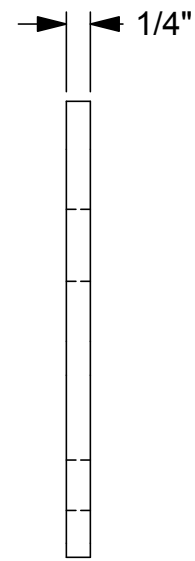
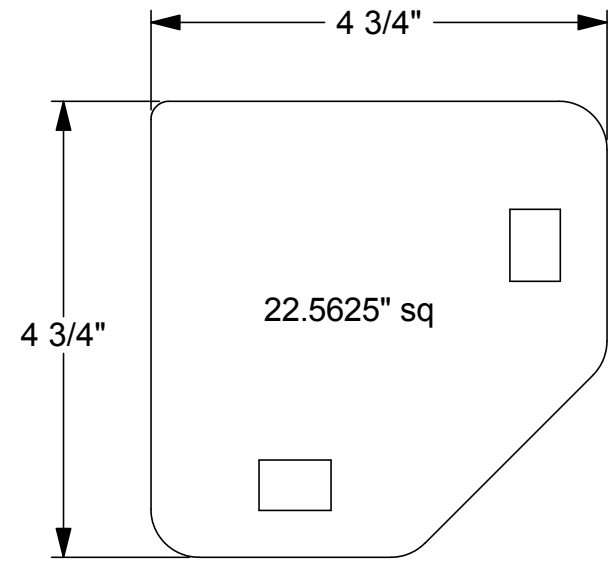
Customer:

LEG WELDMENT

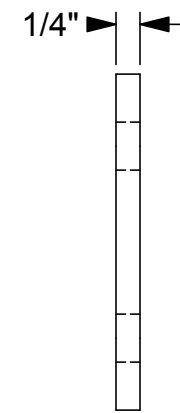
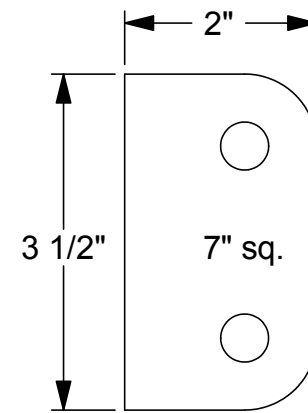
DWG#:

NUMBER REQUIRED:

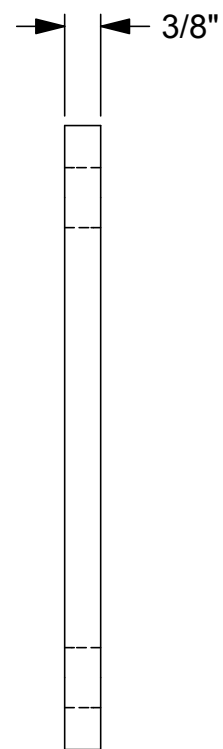
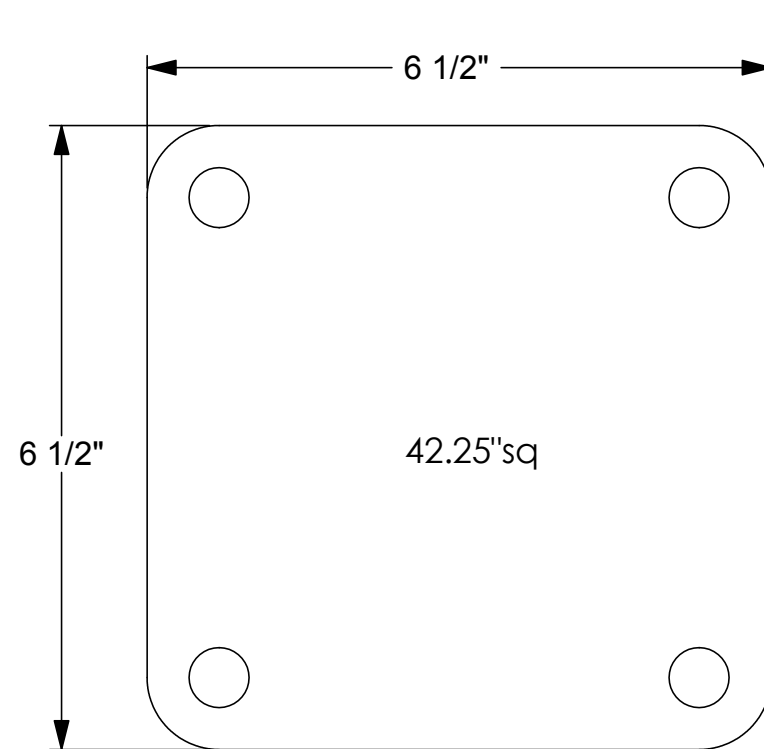
SHOP ORDER #



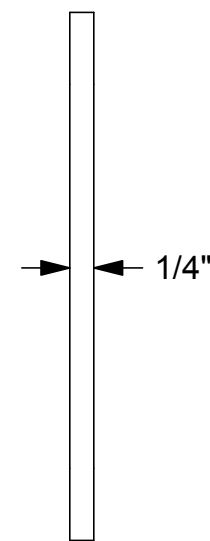
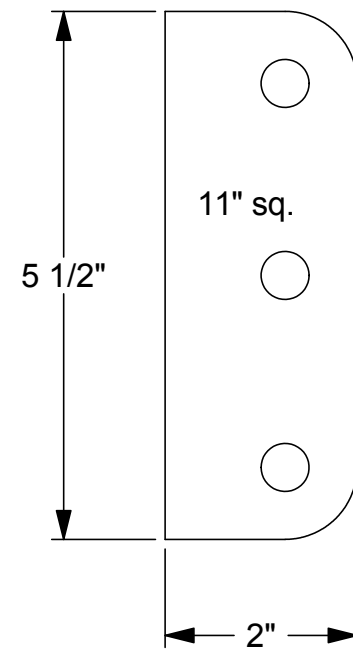
QTY. 4
LEGS_S1_108



QTY. 16
LEGS_11_2_HOLES



QTY. 4
LEGS_09



QTY.16
LEGS_11_3_HOLES

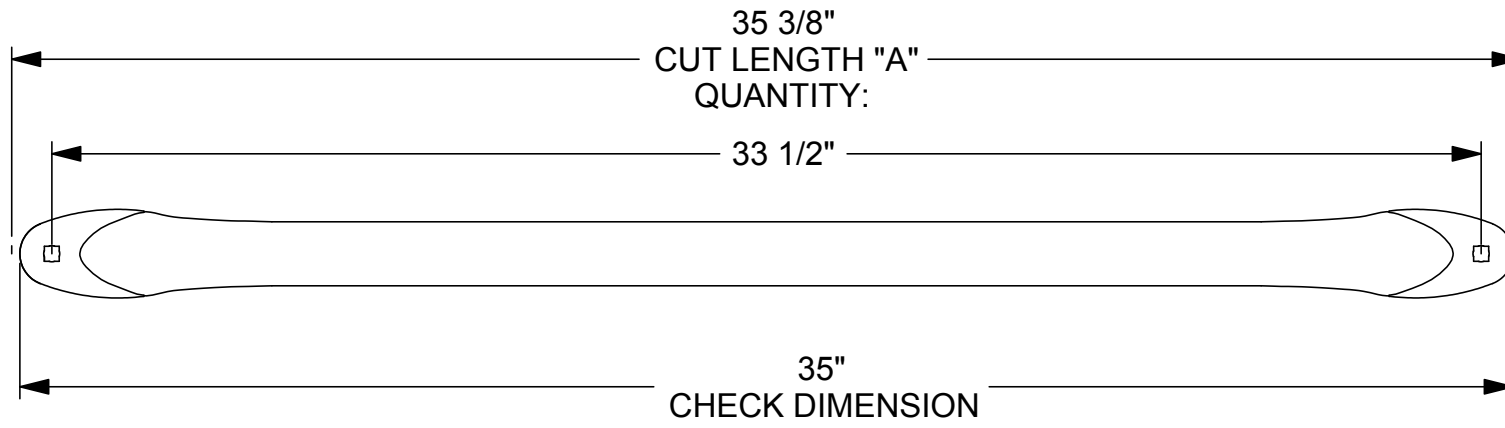
Customer:

LEG ASSEMBLY

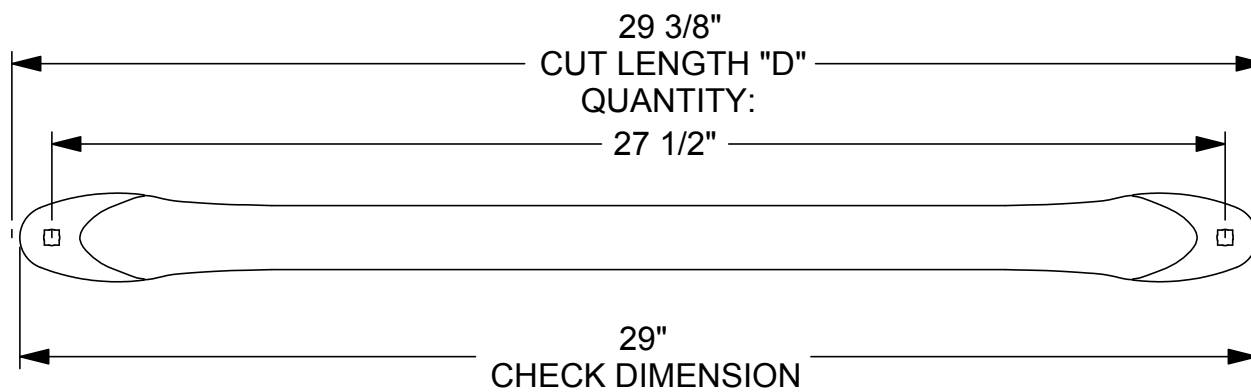
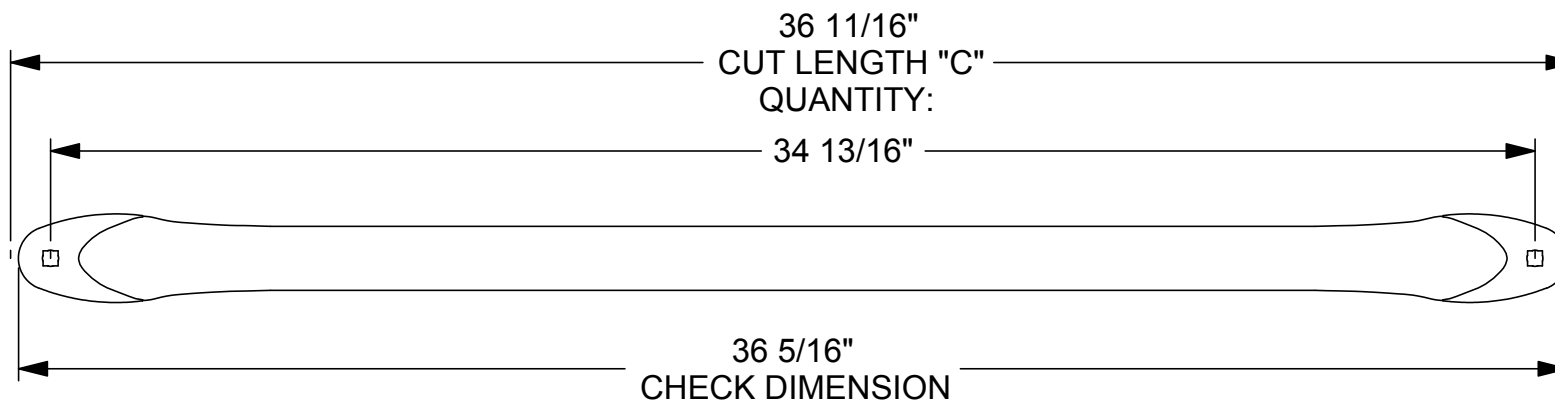
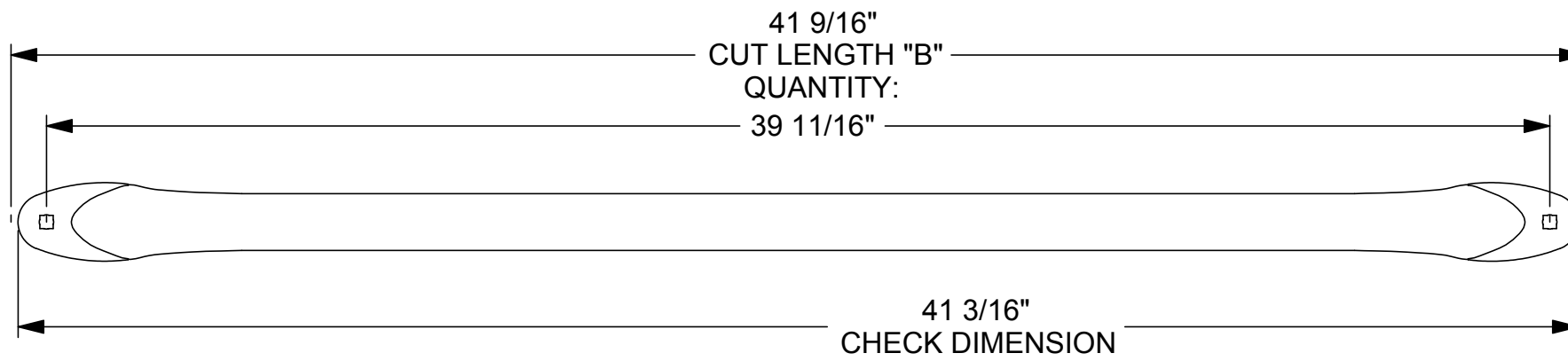
DWG#:

NUMBER REQUIRED:

SHOP ORDER #



MATERIAL: 1 1/2" DIA. HANDRAIL TUBE
CARBON STEEL



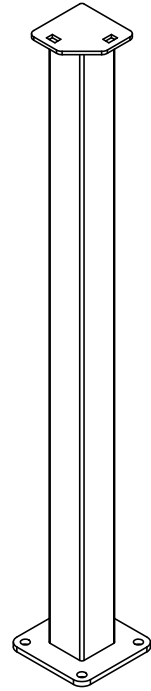
Customer:

X-BRACES

DWG#:

NUMBER REQUIRED:

SHOP ORDER #



Customer:

LEG WELDMENT NO X-BRACE

DWG#:

NUMBER REQUIRED:

SHOP ORDER #