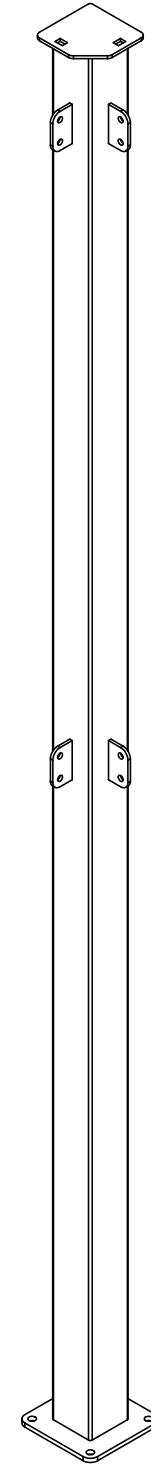
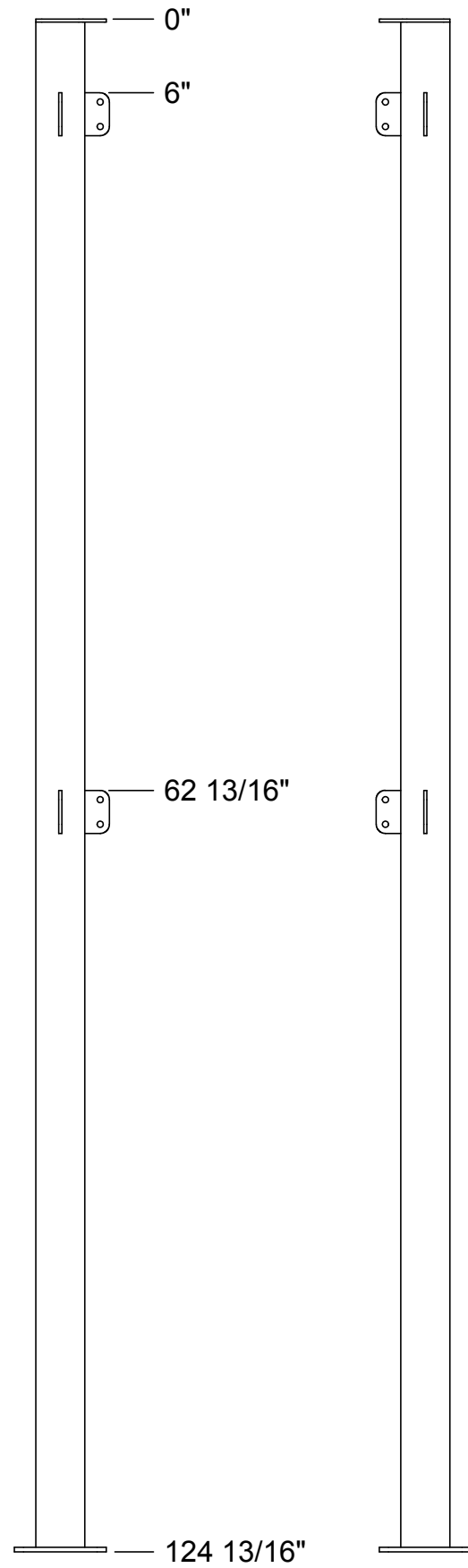
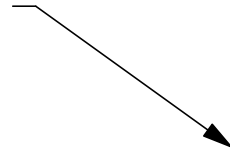


Customer:
 LEG ASSEMBLY
 DWG#:
 NUMBER REQUIRED:
 SHOP ORDER #

3" x 3" x 1/8" THICK
SQUARE TUBE
CARBON STEEL
" LONG
QUANTITY: 4



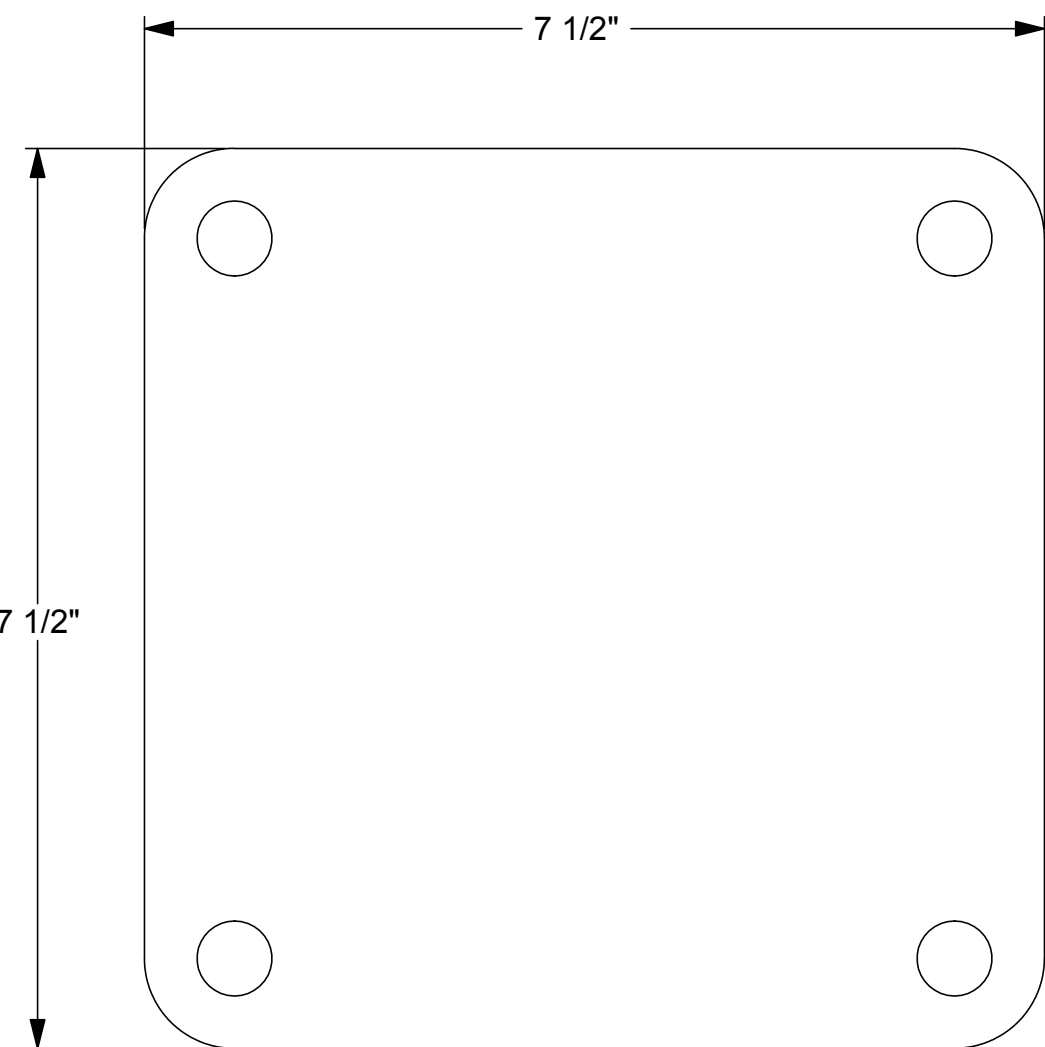
Customer:

LEG WELDMENT

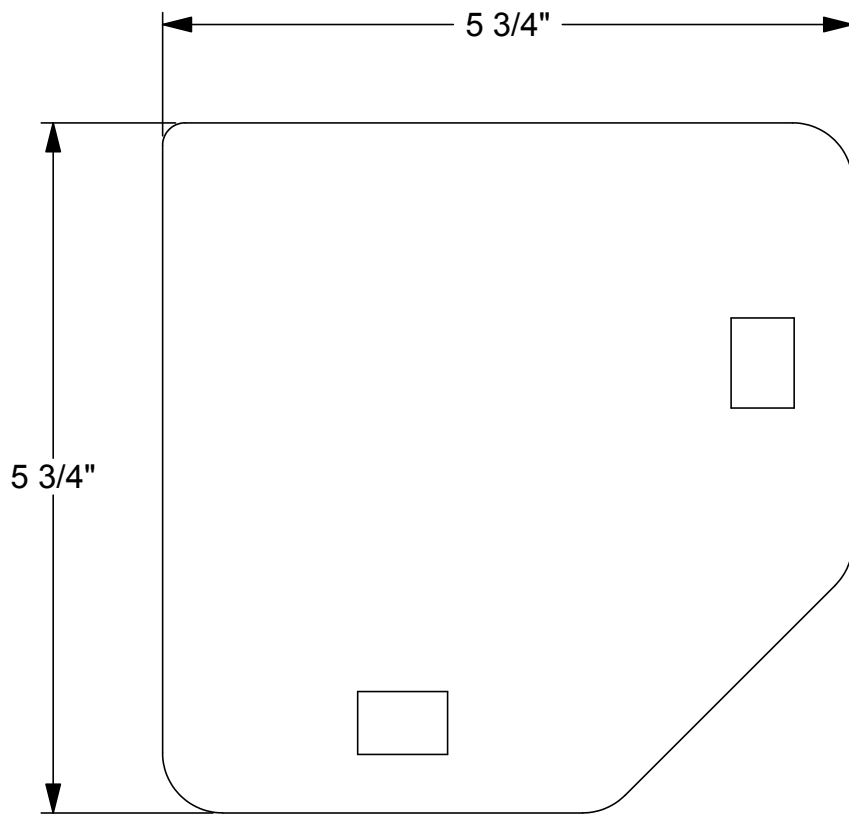
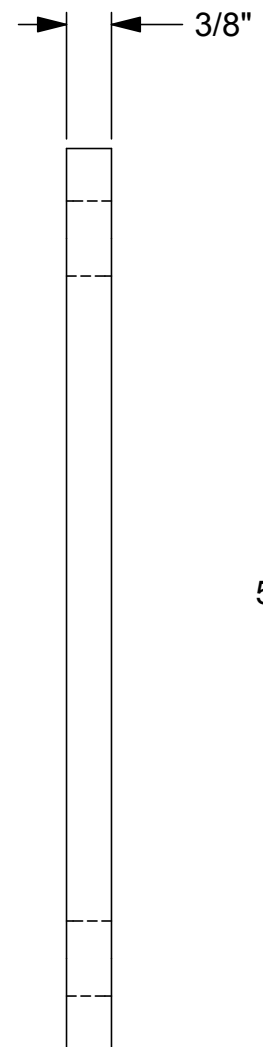
DWG#:

NUMBER REQUIRED:

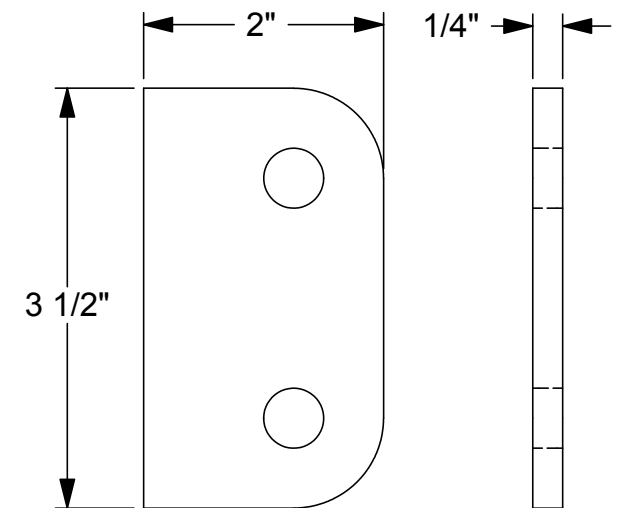
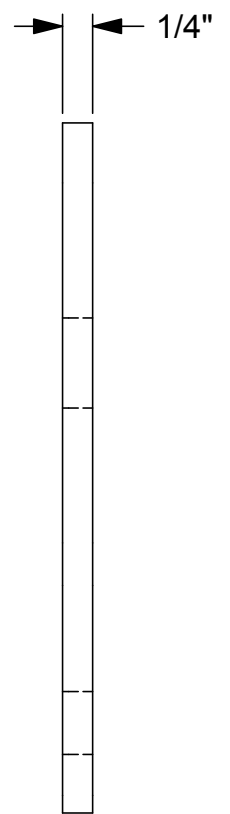
SHOP ORDER #



PART # LEG FOOT
 MATERIAL: 3/8" THICK
 CARBON STEEL
 QUANTITY: 4



PART # LEG PAD
 MATERIAL: 1/4" THICK
 CARBON STEEL
 QUANTITY: 4



PART # LEG TAB
 MATERIAL: 1/4" THICK
 CARBON STEEL
 QUANTITY: 16

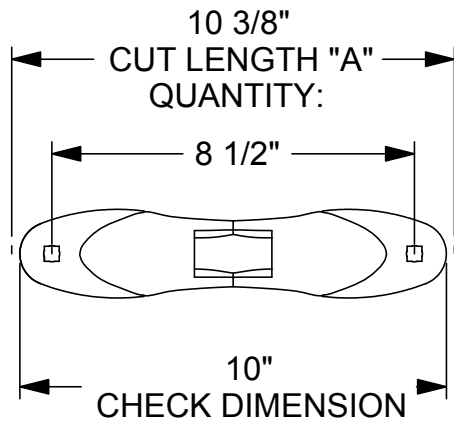
Customer:

LEG ASSEMBLY

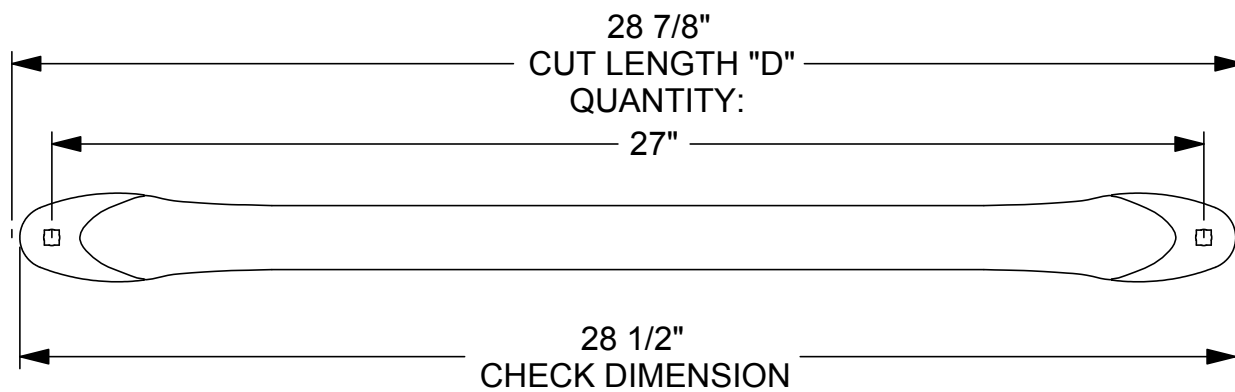
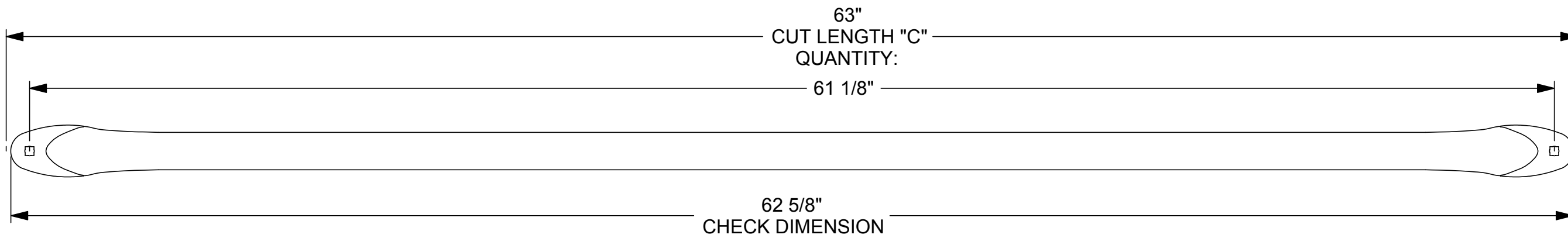
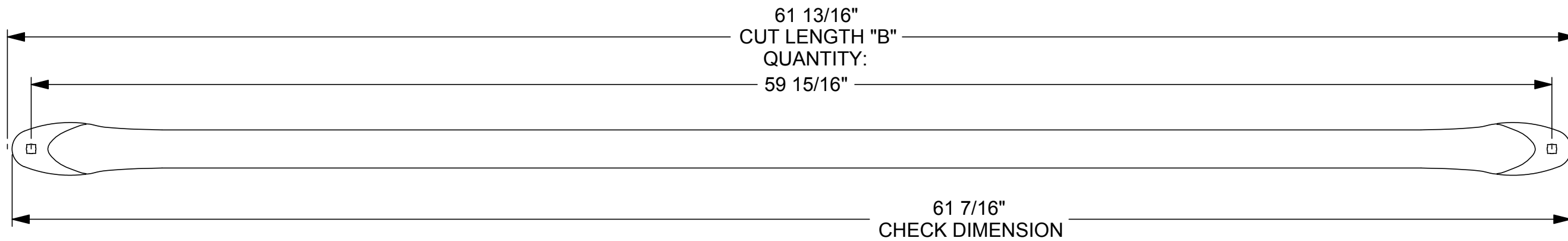
DWG#:

NUMBER REQUIRED:

SHOP ORDER #



MATERIAL: 1 1/2" DIA. HANDRAIL TUBE
CARBON STEEL



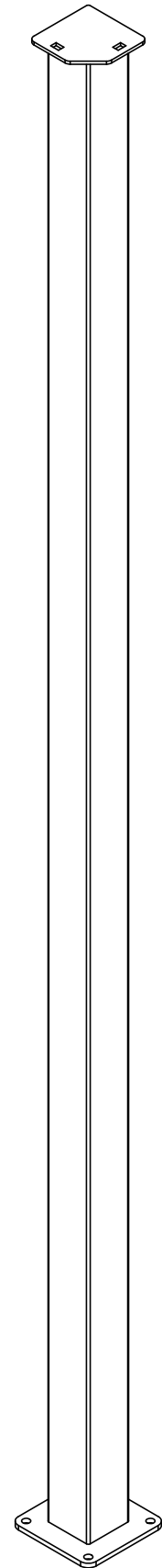
Customer:

X-BRACES

DWG#:

NUMBER REQUIRED:

SHOP ORDER #



Customer:

LEG WELDMENT NO X-BRACE

DWG#:

NUMBER REQUIRED:

SHOP ORDER #