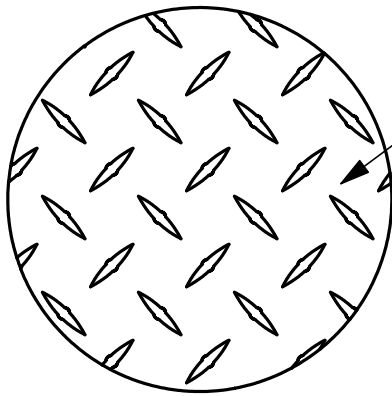


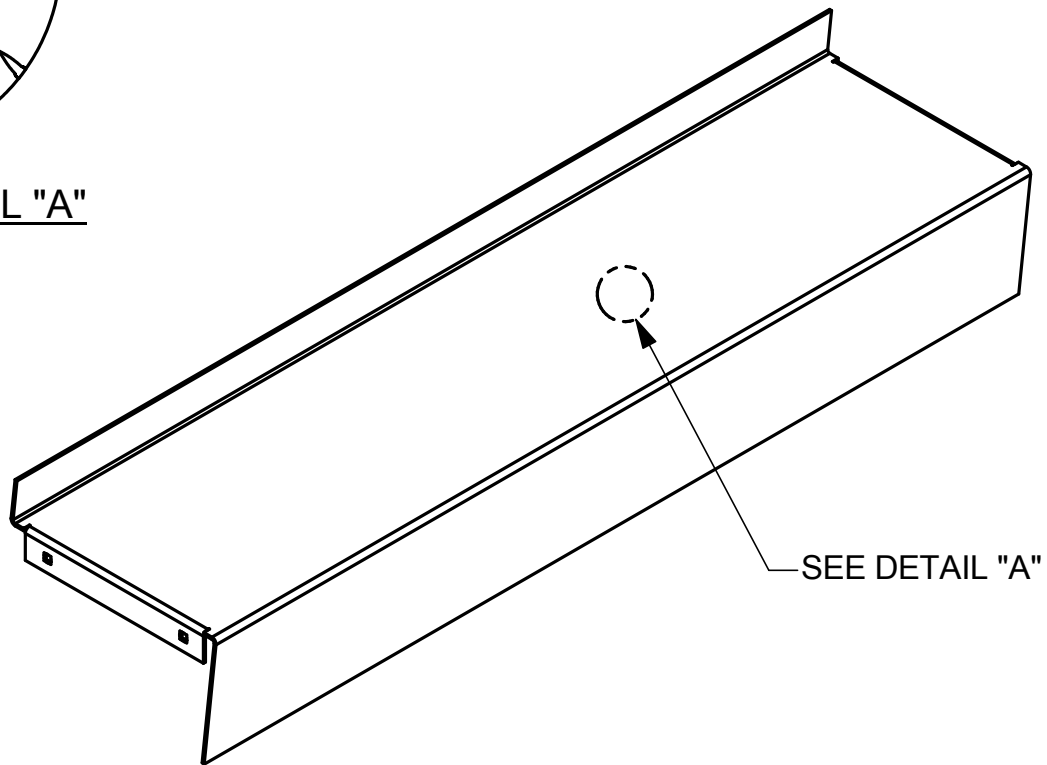
Diamond Tread – Model 03AA

Closed Riser



DIAMOND SAFETY PLATE. DIAMOND SURFACE NOT SHOWN FOR CLARITY. DIAMONDS .040" HIGH. OVERALL THICKNESS: ALUM. = .290", STEEL = .228"

ENLARGED DETAIL "A"



SEE DETAIL "A"

LAPEYRE STAIR, INC.
P.O. Box 50699
New Orleans, LA 70150

Toll-free (800)535-7631
Phone (504)733-6009
Fax (504)733-4393
www.lapeyrestair.com