

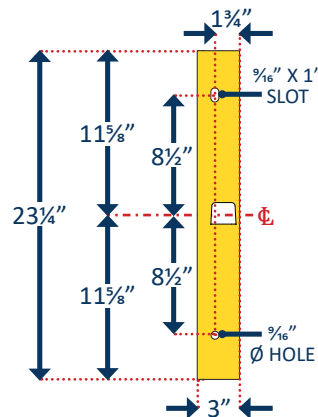
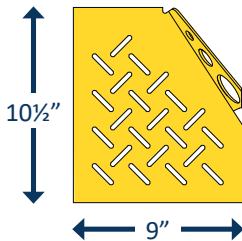
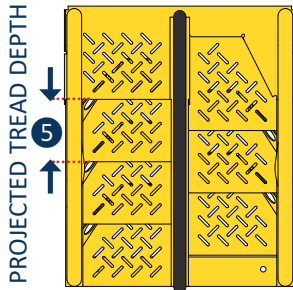
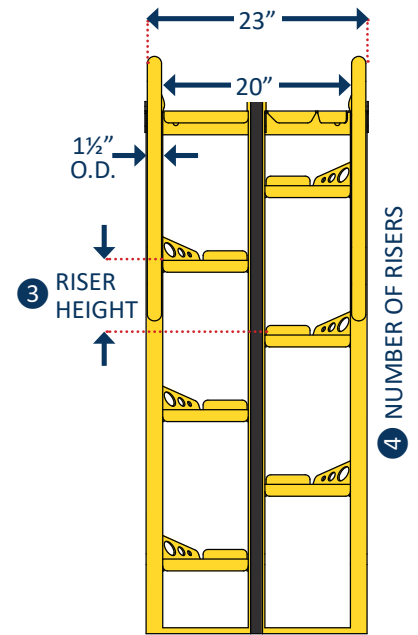
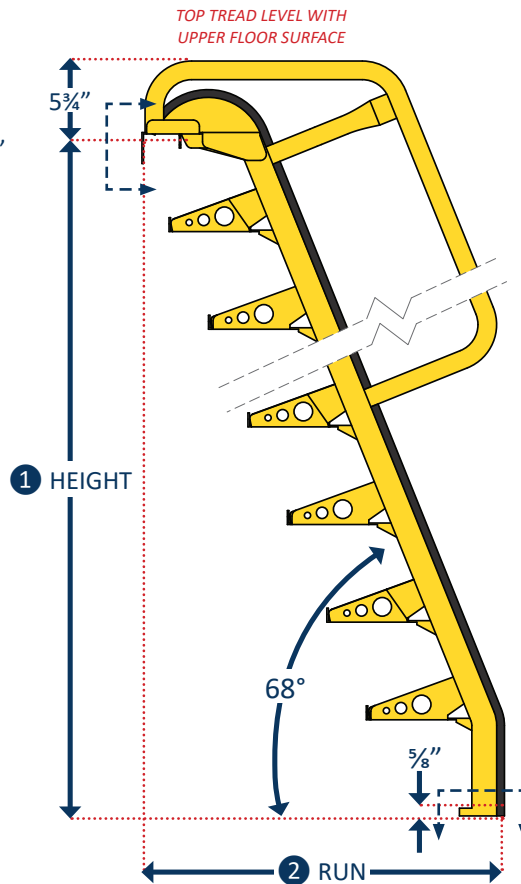
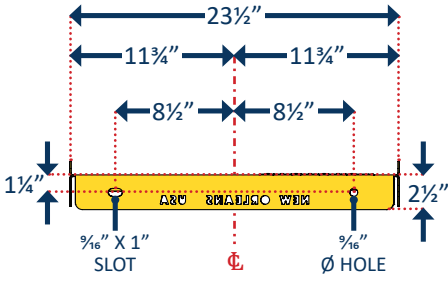
DIMENSIONAL PRINT: 68° STEEL ALTERNATING TREAD STAIR WITH OPTIONAL HANDRAILS



ALTERNATING TREAD STAIRS ARE DESIGNED TO COMPLY WITH ALL APPLICABLE OSHA STANDARDS

VARIABLE DIMENSIONS

- ① SPECIFIED STAIR HEIGHT
 - ② HORIZONTAL RUN
 - ③ RISER HEIGHT
 - ④ NUMBER OF RISERS
 - ⑤ PROJECTED TREAD DEPTH
- CALCULATED BASED ON HEIGHT:*



FOR STAIR HEIGHTS 15' AND UP

Lapeyre Stair recommends an intermediate platform with two stairs of equal heights. Sway bracing may be required to reduce vibration.