

# DIMENSIONAL PRINT: 68° STEEL ALTERNATING TREAD STAIR WITH STANDARD HANDRAILS

## VARIABLE DIMENSIONS

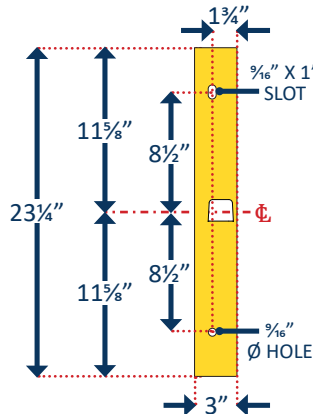
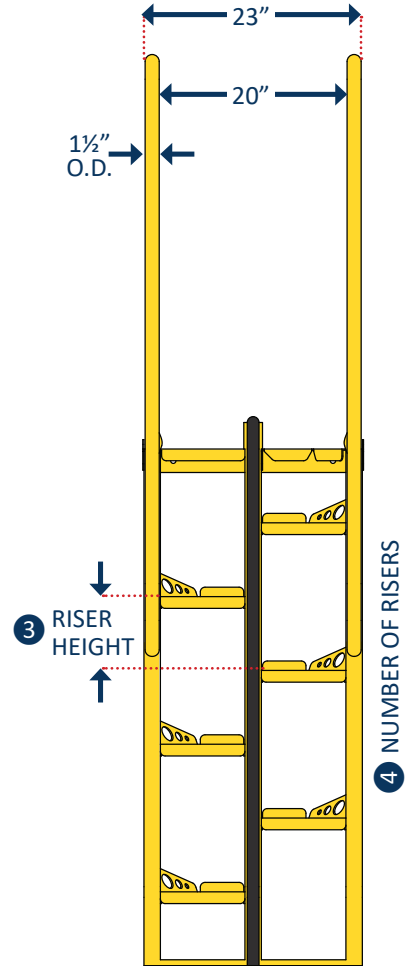
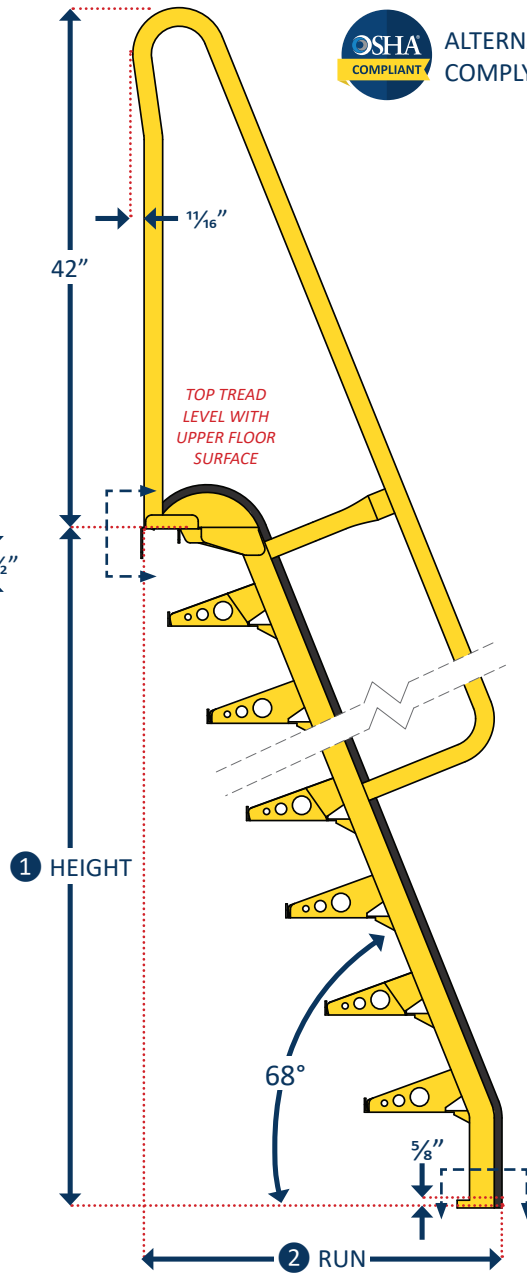
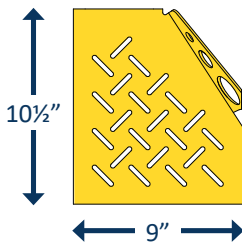
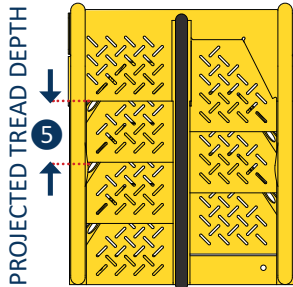
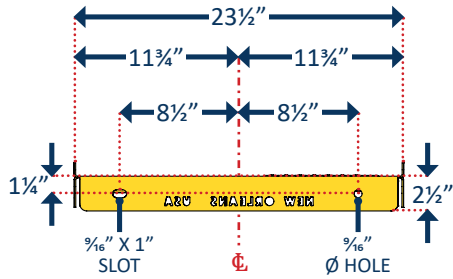
1 SPECIFIED STAIR HEIGHT

CALCULATED BASED ON HEIGHT:

- 2 HORIZONTAL RUN
- 3 RISER HEIGHT
- 4 NUMBER OF RISERS
- 5 PROJECTED TREAD DEPTH



ALTERNATING TREAD STAIRS ARE DESIGNED TO COMPLY WITH ALL APPLICABLE OSHA STANDARDS



## FOR STAIR HEIGHTS 15' AND UP

Lapeyre Stair recommends an intermediate platform with two stairs of equal heights. Sway bracing may be required to reduce vibration.