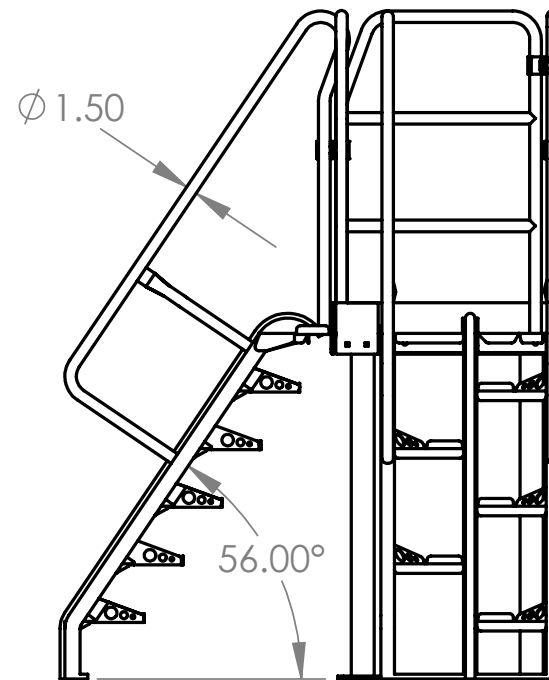
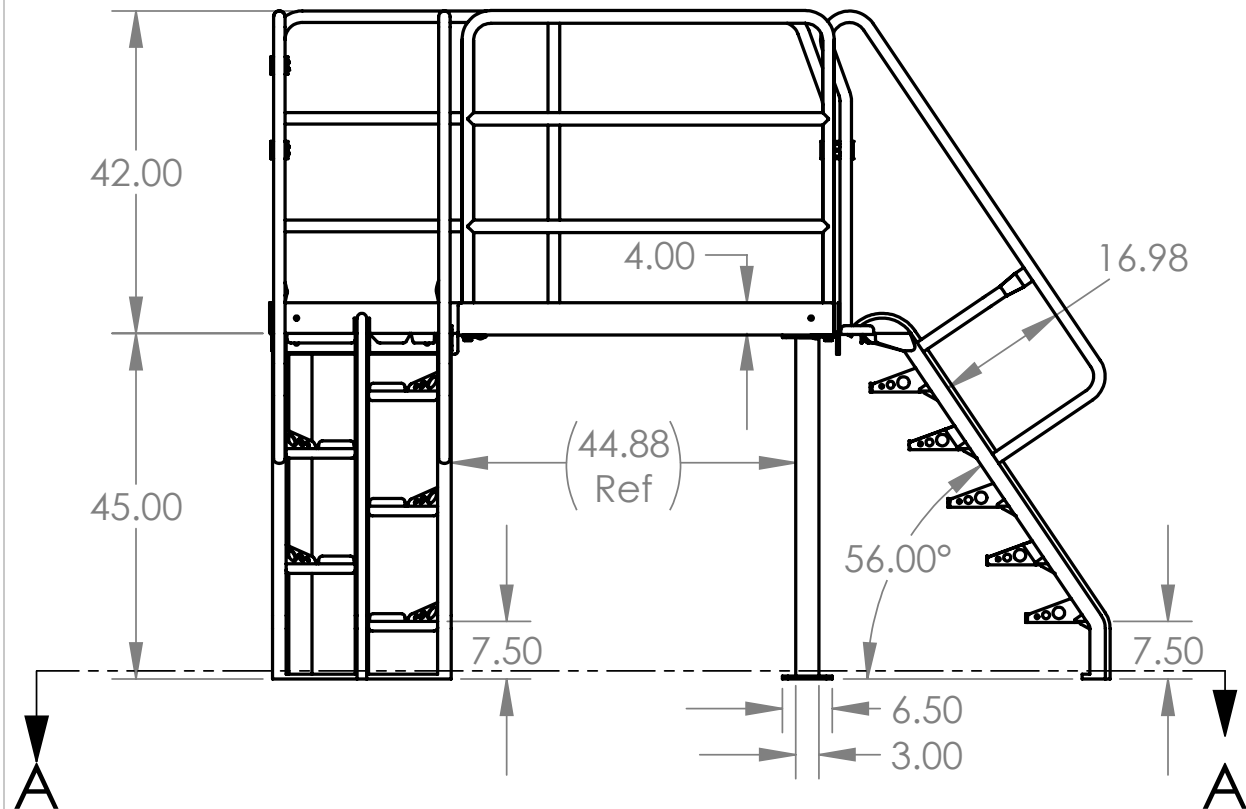
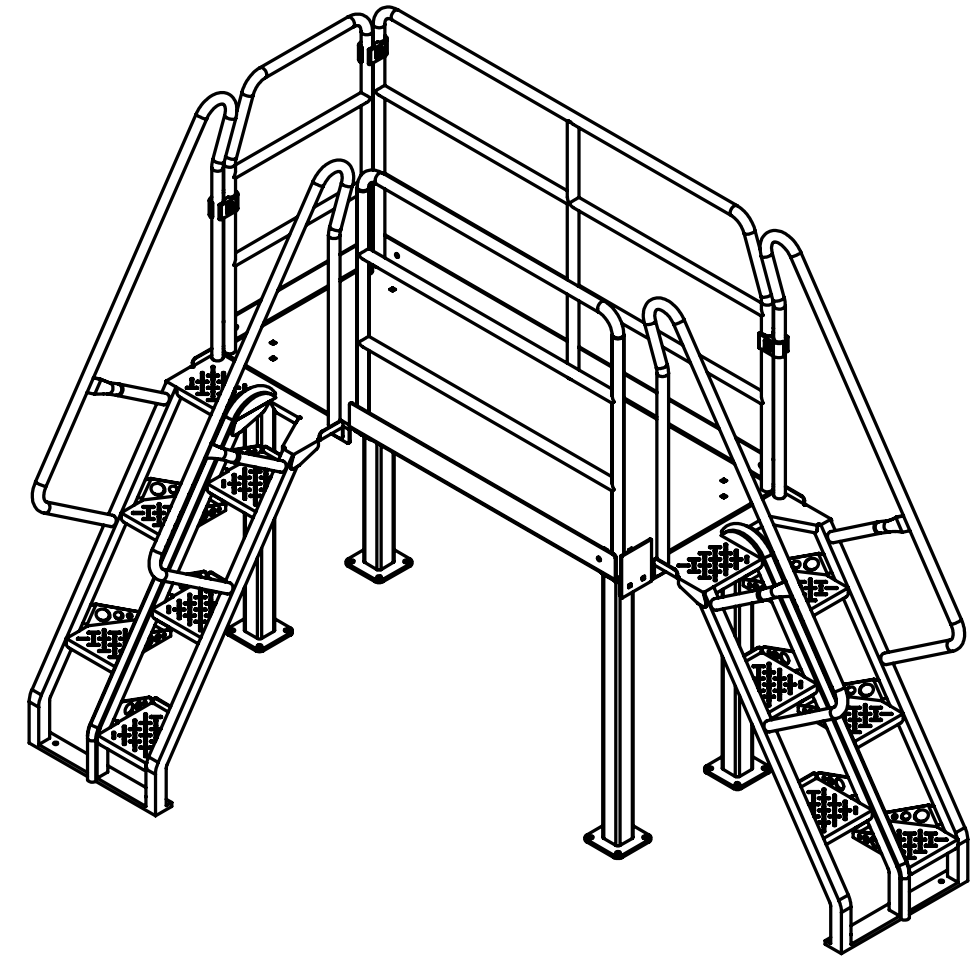
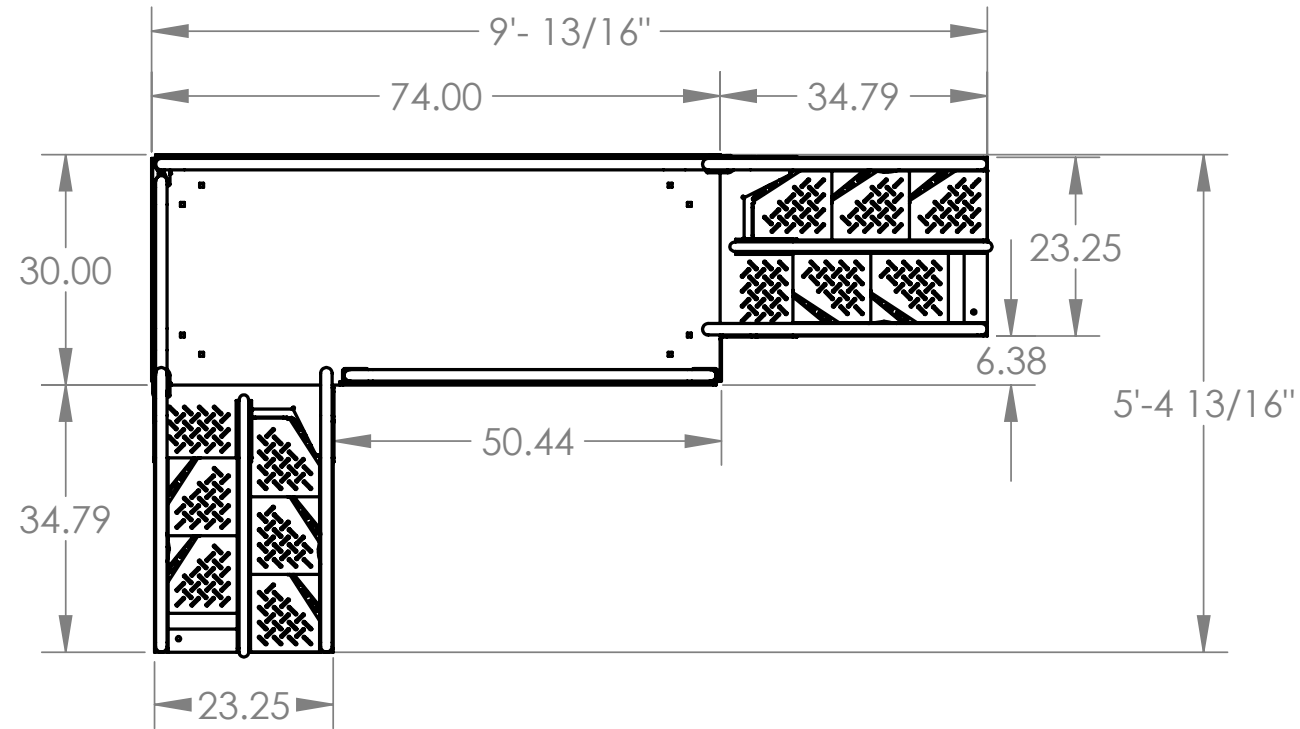


THIS DRAWING IS CONFIDENTIAL AND PROPRIETARY INFORMATION OF LAPEYRE STAIR, INC. IT MAY NOT BE COPIED OR DISCLOSED TO THIRD PARTIES WITHOUT THE WRITTEN AUTHORIZATION OF LAPEYRE STAIR.

REVISIONS			
REV.	DESCRIPTION	DATE	DRAWN



UNLESS OTHERWISE SPECIFIED
DIMENSIONS ARE IN INCHES
TOLERANCES ARE:
FRACTIONS: DECIMALS ANGLES:
± 1/16 .XX ±.016 ± 1°
.XXX ±.005

Lapeyre Stair, Inc. 5117 Toler Street
A SUBSIDIARY OF THE LAITRAM CORP. Harahan, LA 70123
(800) 535-7631
Fax: (504) 733-4393

DRAWN: K. Peltier DATE: 4/18/23

COMPANY:

APPROVAL: DATE:

Project/ Ref: R-9917_L-shape Crossover

Request # 9917

SCALE: None

SHEET: 1 of 2

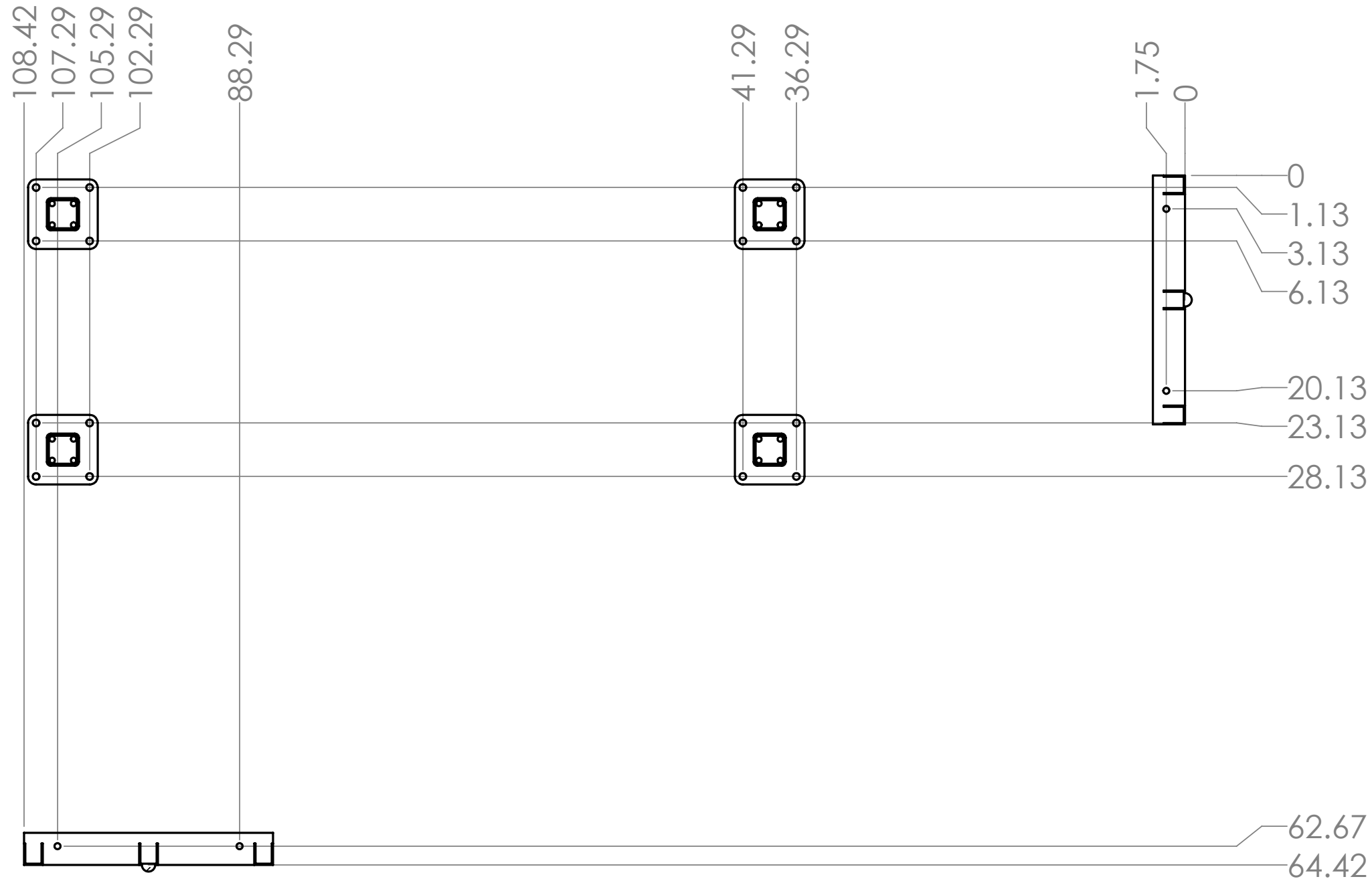
DO NOT SCALE THIS DRAWING

REV. 0



THIS DRAWING IS CONFIDENTIAL AND PROPRIETARY INFORMATION OF LAPEYRE STAIR, INC. IT MAY NOT BE COPIED OR DISCLOSED TO THIRD PARTIES WITHOUT THE WRITTEN AUTHORIZATION OF LAPEYRE STAIR.

REVISIONS			
REV.	DESCRIPTION	DATE	DRAWN



SECTION A-A
SCALE 1 : 12

Unit Anchorage not provided by Lapeyre Stair:
All anchors need to be capable of handling
2400lbs of tension (pull out force) and
500lbs of shear force.

UNLESS OTHERWISE SPECIFIED
DIMENSIONS ARE IN INCHES
TOLERANCES ARE:
FRACTIONS: DECIMALS ANGLES:
± 1/16 .XX ±.016 ± 1°
.XXX ±.005

Lapeyre Stair, Inc. 5117 Toler Street
Harahan, LA 70123
A SUBSIDIARY OF THE LAITRAM CORP. (800) 535-7631
Fax: (504) 733-4393

DRAWN:
K. Peltier

DATE:
4/18/23

COMPANY:

APPROVAL:

DATE:

Project/ Ref: R-9917_L-shape Crossover

Request # 9917

SCALE: None

SHEET: 2 of 2

DO NOT SCALE THIS DRAWING

REV.
0

