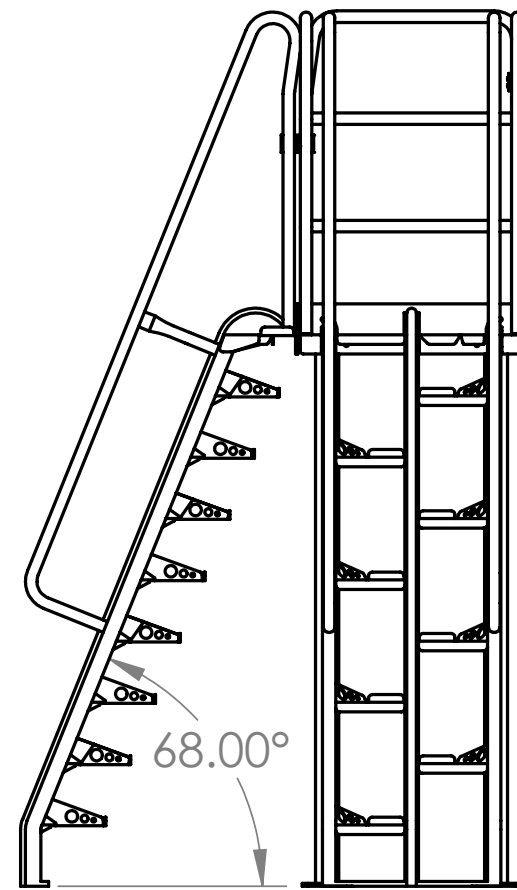
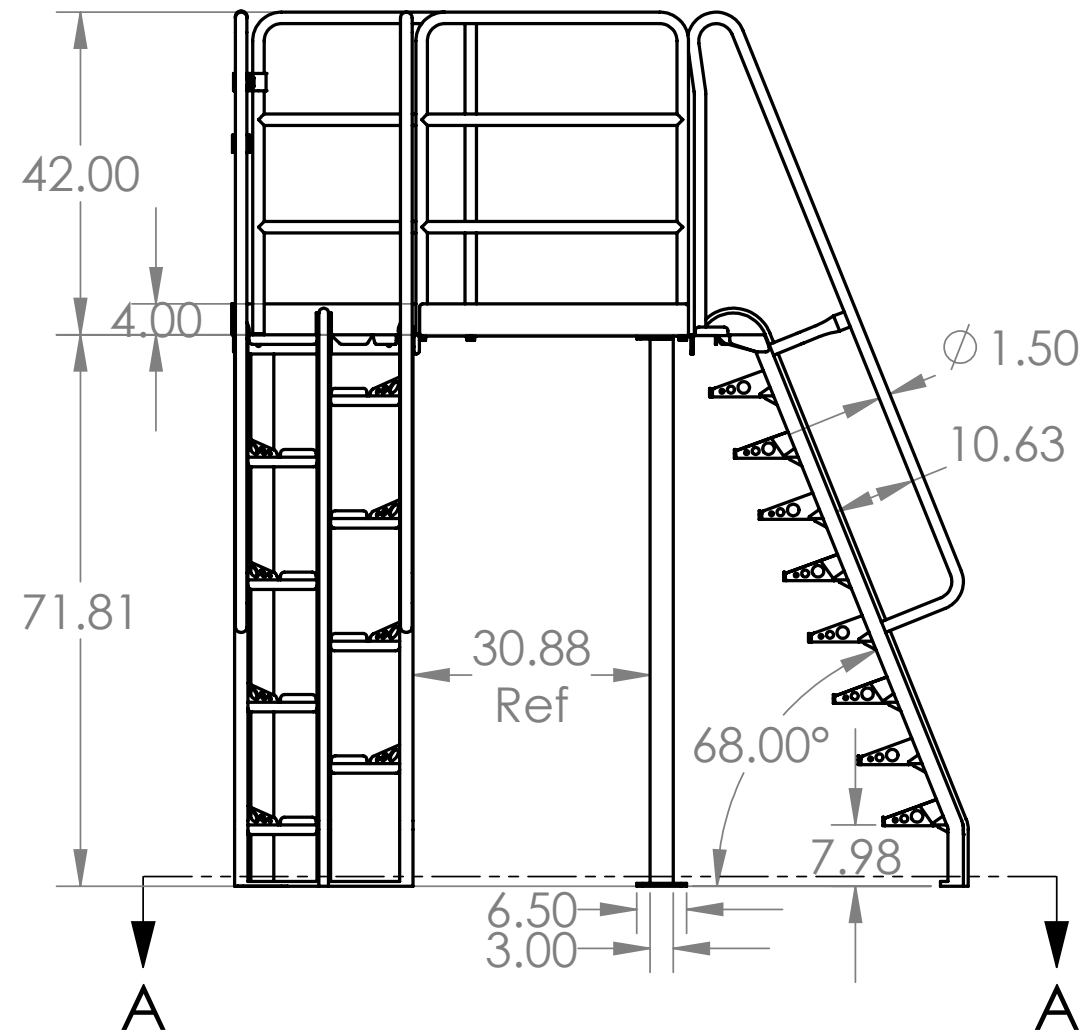
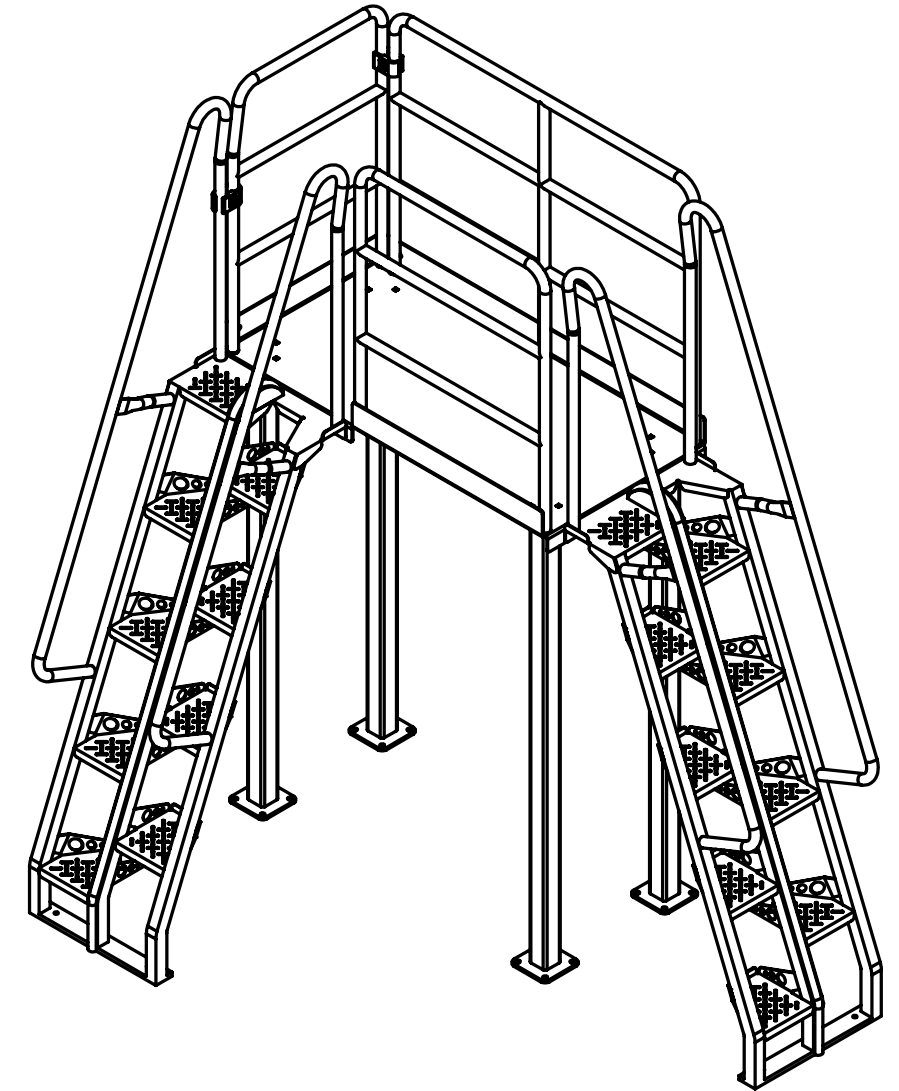
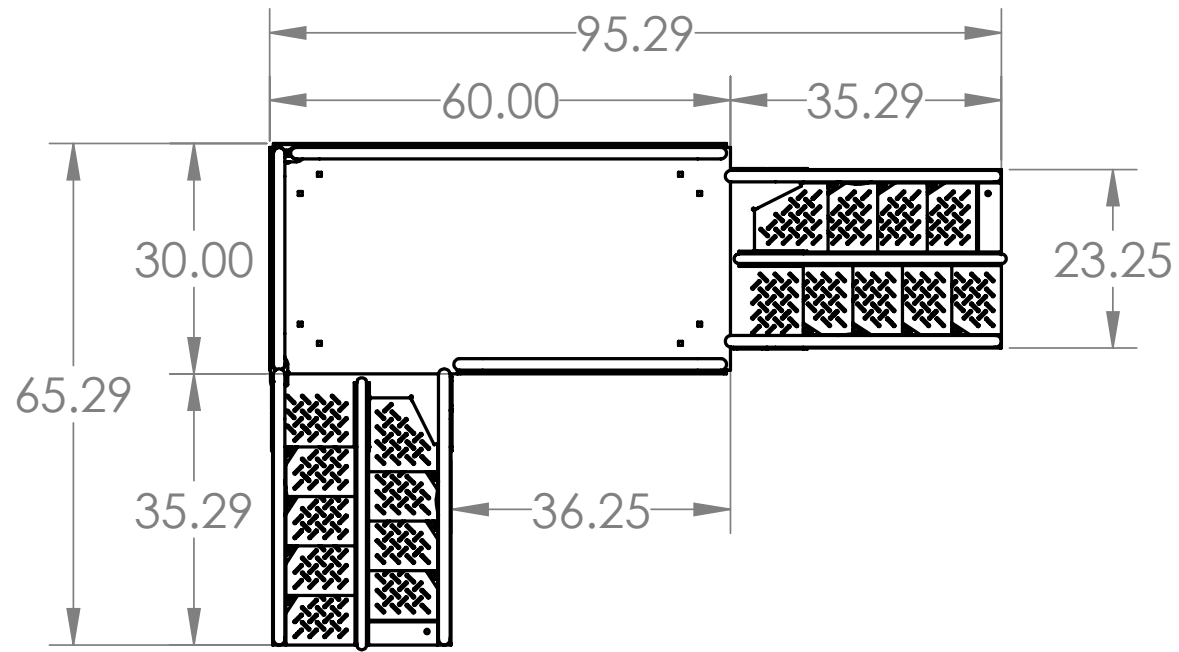


THIS DRAWING IS CONFIDENTIAL AND PROPRIETARY INFORMATION OF LAPEYRE STAIR, INC. IT MAY NOT BE COPIED OR DISCLOSED TO THIRD PARTIES WITHOUT THE WRITTEN AUTHORIZATION OF LAPEYRE STAIR.

REVISIONS			
REV.	DESCRIPTION	DATE	DRAWN



UNLESS OTHERWISE SPECIFIED
DIMENSIONS ARE IN INCHES
TOLERANCES ARE:
FRACTIONS: DECIMALS ANGLES:
± 1/16 .XX ± .016 ± 1°
.XXX ± .005

Lapeyre Stair, Inc.
A SUBSIDIARY OF THE LAITRAM CORP.

5117 Toler Street
Harahan, LA 70123
(800) 535-7631
Fax: (504) 733-4393

DRAWN:
C. Rooker

DATE:
3/15/23

COMPANY:

APPROVAL:

DATE:

Project/ Ref: Req-9859_LH_Crossover

Request # 9859

SCALE: None

SHEET: 1 of 2

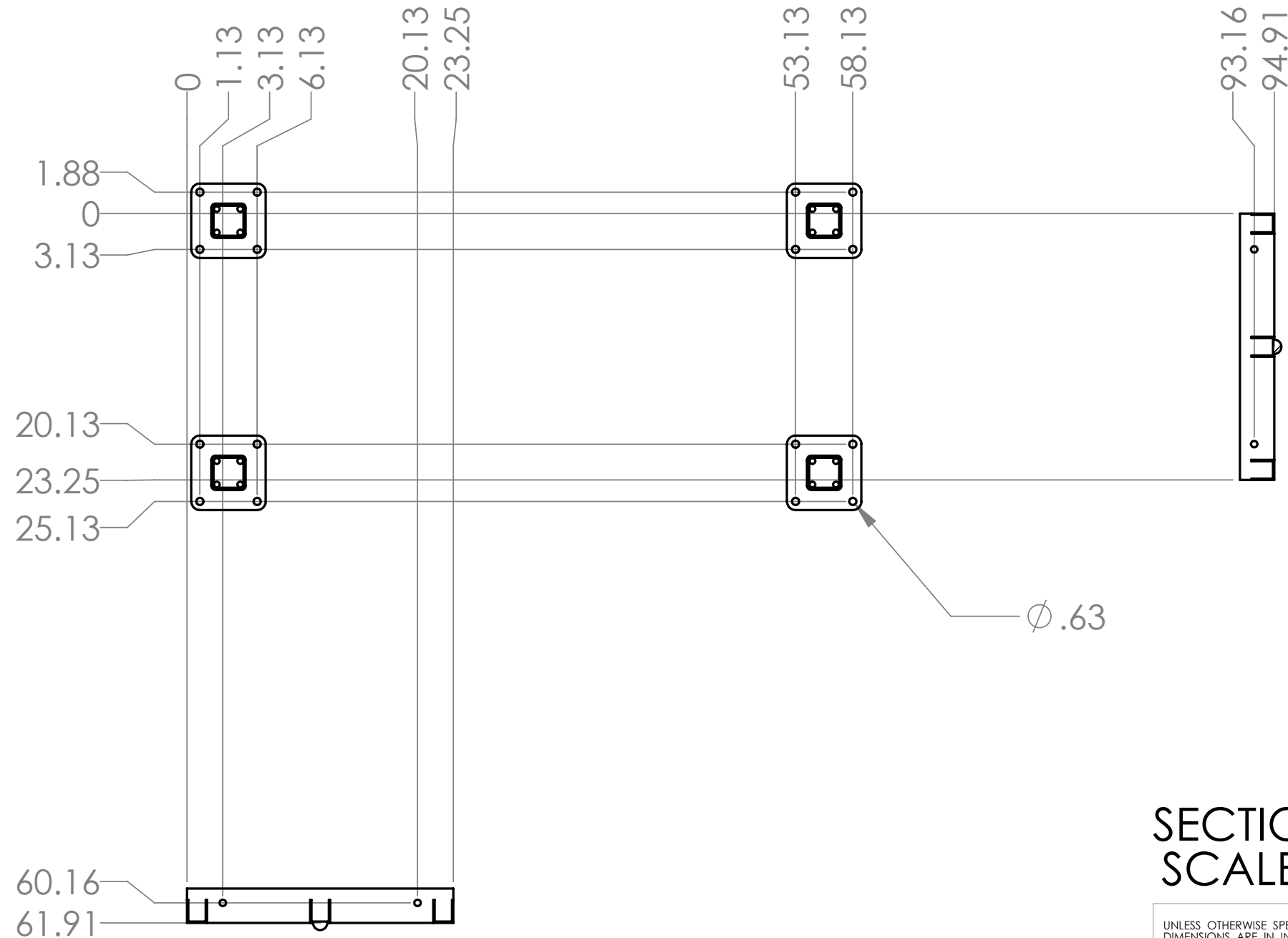
DO NOT SCALE THIS DRAWING

REV.
0



THIS DRAWING IS CONFIDENTIAL AND PROPRIETARY INFORMATION OF LAPEYRE STAIR, INC. IT MAY NOT BE COPIED OR DISCLOSED TO THIRD PARTIES WITHOUT THE WRITTEN AUTHORIZATION OF LAPEYRE STAIR.

REVISIONS			
REV.	DESCRIPTION	DATE	DRAWN



SECTION A-A SCALE 1 : 12

Unit Anchorage not provided by Lapeyre Stair:
All anchors need to be capable of handling 2400lbs of tension (pull out force) and 500lbs of shear force.

UNLESS OTHERWISE SPECIFIED
DIMENSIONS ARE IN INCHES
TOLERANCES ARE:
FRACTIONS: DECIMALS ANGLES:
 $\pm 1/16$.XX $\pm .016$ $\pm 1^\circ$
.XXX $\pm .005$

Lapeyre Stair, Inc.
A SUBSIDIARY OF THE LAITRAM CORP.

5117 Toler Street
Harahan, LA 70123
(800) 535-7631
Fax: (504) 733-4393



DRAWN:
C. Rooker

DATE:
3/15/23

COMPANY:

APPROVAL:

DATE:

Project/ Ref: Req-9859_LH_Crossover

Request # 9859

SCALE: None

SHEET: 2 of 2

DO NOT SCALE THIS DRAWING

REV.
0