

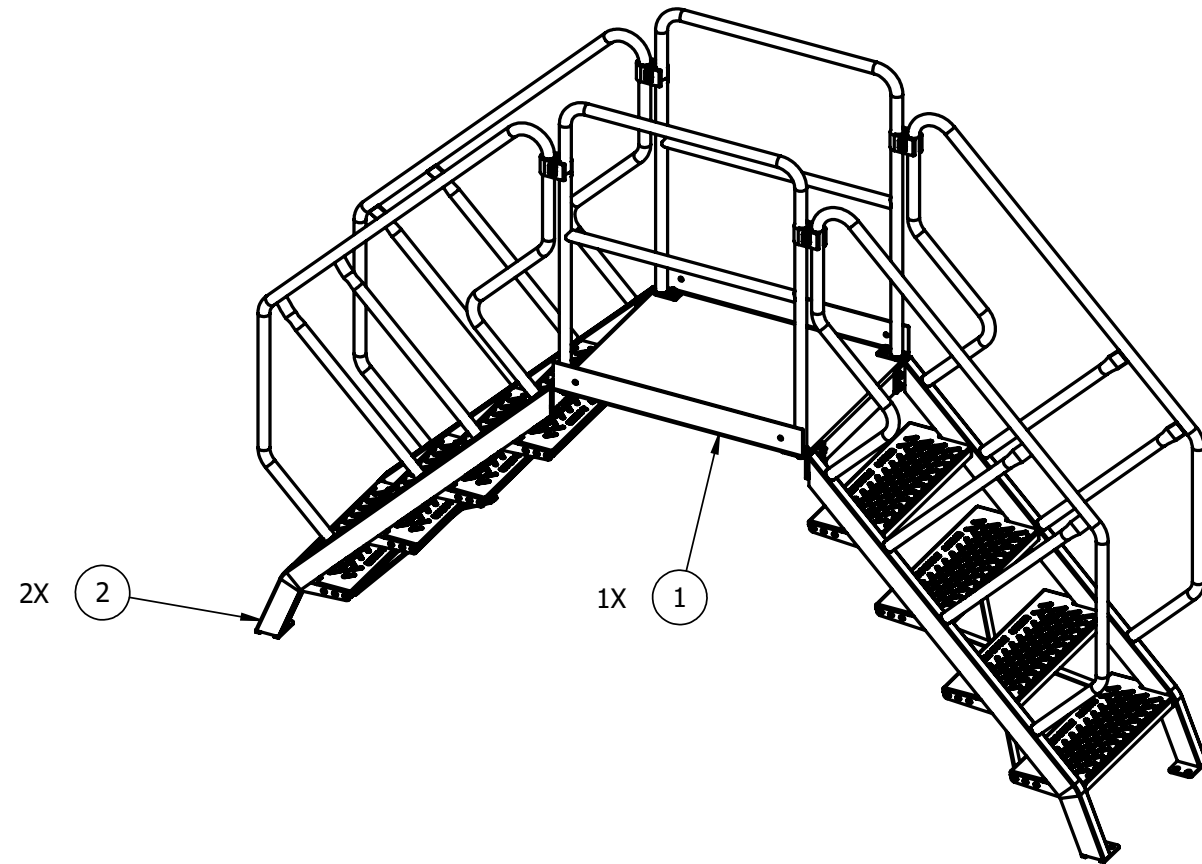
**TO PLACE ORDER-Sign below, sign each stair print, and return to Lapeyre Stair.**

**IMPORTANT NOTICE:**  
**BY SIGNING BELOW, BUYER ACKNOWLEDGESTHAT THE ATTACHED DRAWINGS CONFORM FULLY WITH THEIR PRODUCT REQUIREMENTS. IF THIS IS NOT THE CASE, CONTACT LAPEYRE STAIR IMMEDIATELY.**

Approved By: \_\_\_\_\_ Company: \_\_\_\_\_ Date: \_\_\_\_\_  
 All products will be manufactured as specified in the buyer-approved design prints. Buyer is responsible for field verifications. Please sign and return for final approval of dimensions and parts. Approval releases order for fabrication; quoted lead time commences upon receipt of signed approval prints.

Meets Following Code Requirements:  
 Federal OSHA

Unit Anchorage not provided by Lapeyre Stair:  
 All anchors need to be capable of handling 600lbs of tension (pull out force) and 500lbs of shear force.



Order Qty:

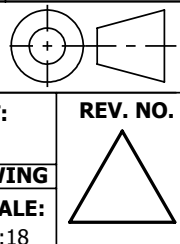
**System Part # LWCS- 47.5 - 120.0 - 36.0 -Y**

PICK LIST				
ITEM NO.	Part Number	Description	QTY.	Unit Of Measure
1	BRP-28.5-36	Crossover Bridge, 28.5" X 36" Carbon Steel, Safety Yellow	1	EA
2	BRS-47.5-42	Crossover Bridge Stair, 47.5H X 42P, Carbon Steel	2	EA

Hardware Pick List			
Kit #	Part #	Qty.	UOM
Kit 10	9P-00-000-10	4	EA
Kit 3	9P-00-000-03	4	EA
ATS-6	ATS-6	1	EA
Kit, 2.0-2.5-Handrail Support Clamp	60316	4	EA

THIS DRAWING IS CONFIDENTIAL AND PROPRIETARY INFORMATION OF LAPEYRE STAIR INC. IT MAY NOT BE COPIED OR DISCLOSED TO THIRD PARTIES WITHOUT THE WRITTEN AUTHORIZATION OF LAPEYRE STAIR.

UNLESS OTHERWISE SPECIFIED ±1° ±1/16  
 DIMENSIONS ARE IN INCHES .XX ±.016  
 AND TOLERANCES ARE: .XXX ±.005



**LAPEYRE STAIR**  
 5117 TOLER STREET, HARAHAN, LA 70123  
 (800) 535-7631

**CUSTOMER INFORMATION:**

**DESCRIPTION:**  
 CrossOver Bridge, Industrial Standard 47.5 Inches Stair Ht, 46.125 Inches Verticle Clearance, 33 Inches Horizontal Clearance  
**PROJECT REFERENCE:**  
 Test

**FINISH:**  
 Safety Yellow

**QUOTE NUMBER:**  
 00000

**ESTIMATED WEIGHT:**  
 384.9955

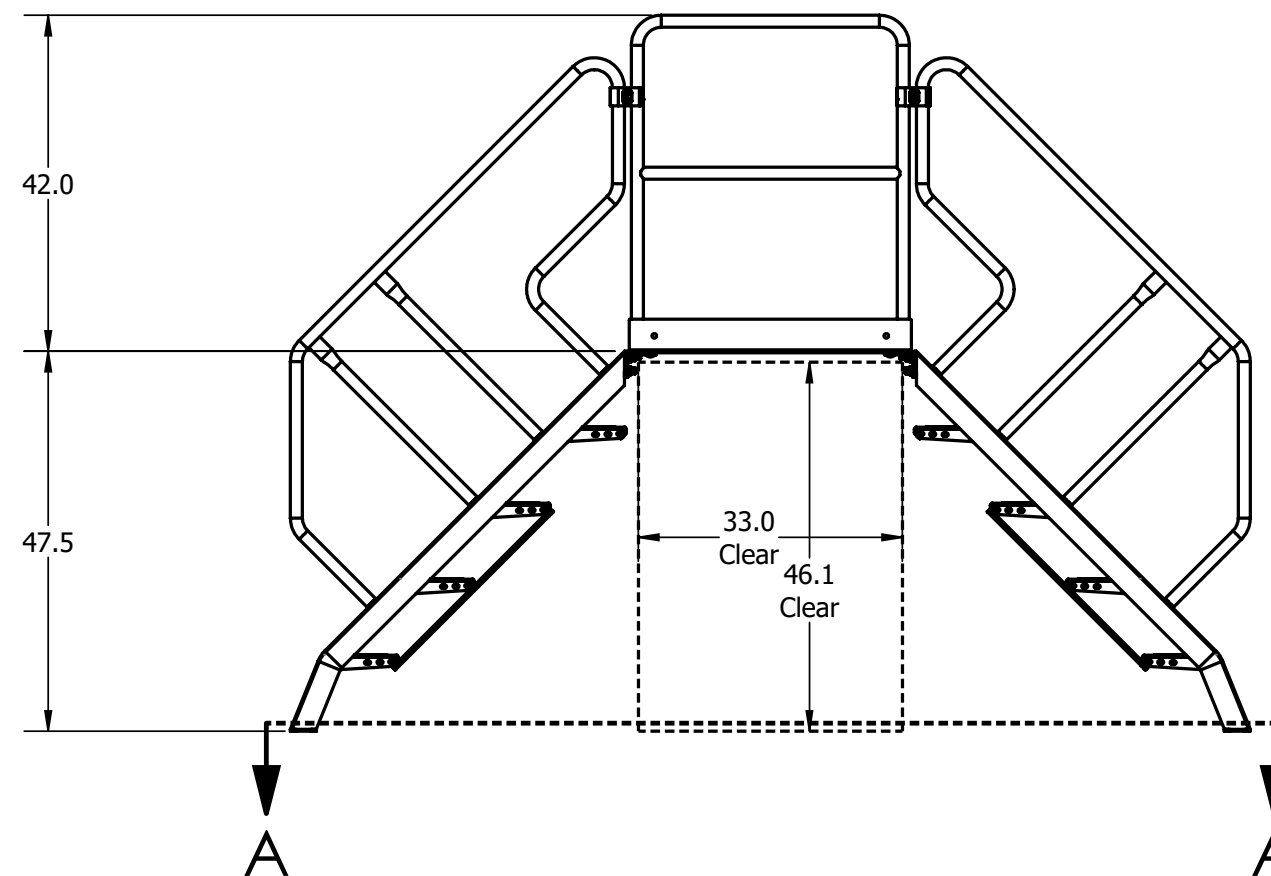
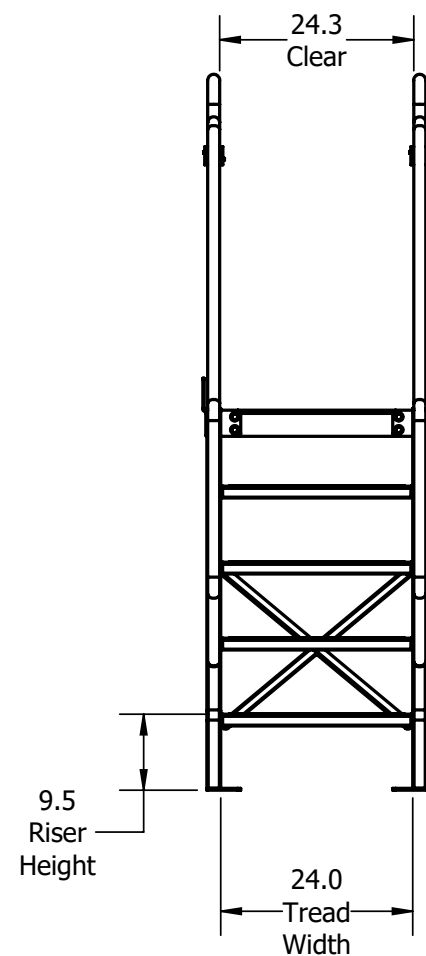
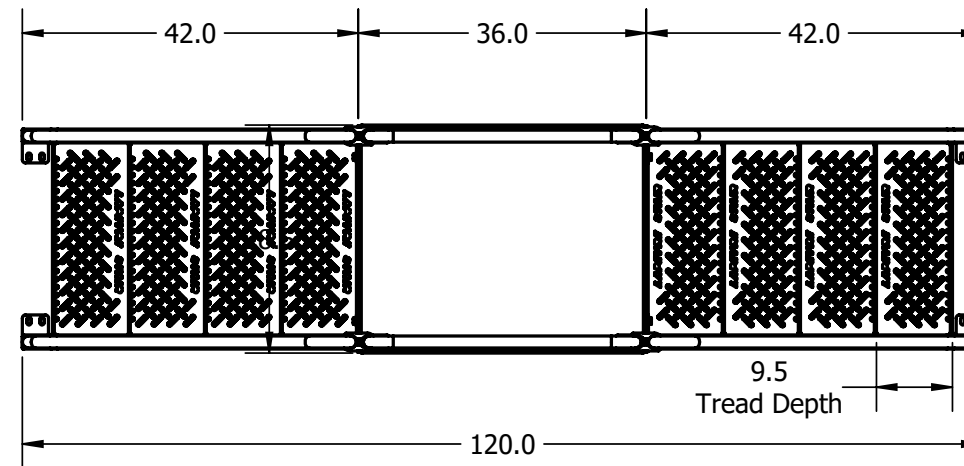
**REV. NO.**

**Job Number**

**DO NOT SCALE THIS DRAWING**

**DRAWING NUMBER:**  
**SCALE:**  
 1:18





**System Part # LWCS- 47.5 - 120.0 - 36.0 -Y**

THIS DRAWING IS CONFIDENTIAL AND PROPRIETARY INFORMATION OF LAPEYRE STAIR INC. IT MAY NOT BE COPIED OR DISCLOSED TO THIRD PARTIES WITHOUT THE WRITTEN AUTHORIZATION OF LAPEYRE STAIR. UNLESS OTHERWISE SPECIFIED ±1° ±1/16 DIMENSIONS ARE IN INCHES .XX ±.016 AND TOLERANCES ARE: .XXX ±.005

**LAPEYRE STAIR**  
5117 TOLER STREET, HARRAHAN, LA 70123  
(800) 535-7631

**CUSTOMER INFORMATION:**

**DESCRIPTION:**

CrossOver Bridge, Industrial Standard 47.5 Inches Stair Ht, 46.125 Inches Verticle Clearance, 33 Inches Horizontal Clearance

**PROJECT REFERENCE:**

Test

**FINISH:**

Safety Yellow

**QUOTE NUMBER:**

00000

**ESTIMATED WEIGHT:**

384.9955

**Job Number**

**DO NOT SCALE THIS DRAWING**

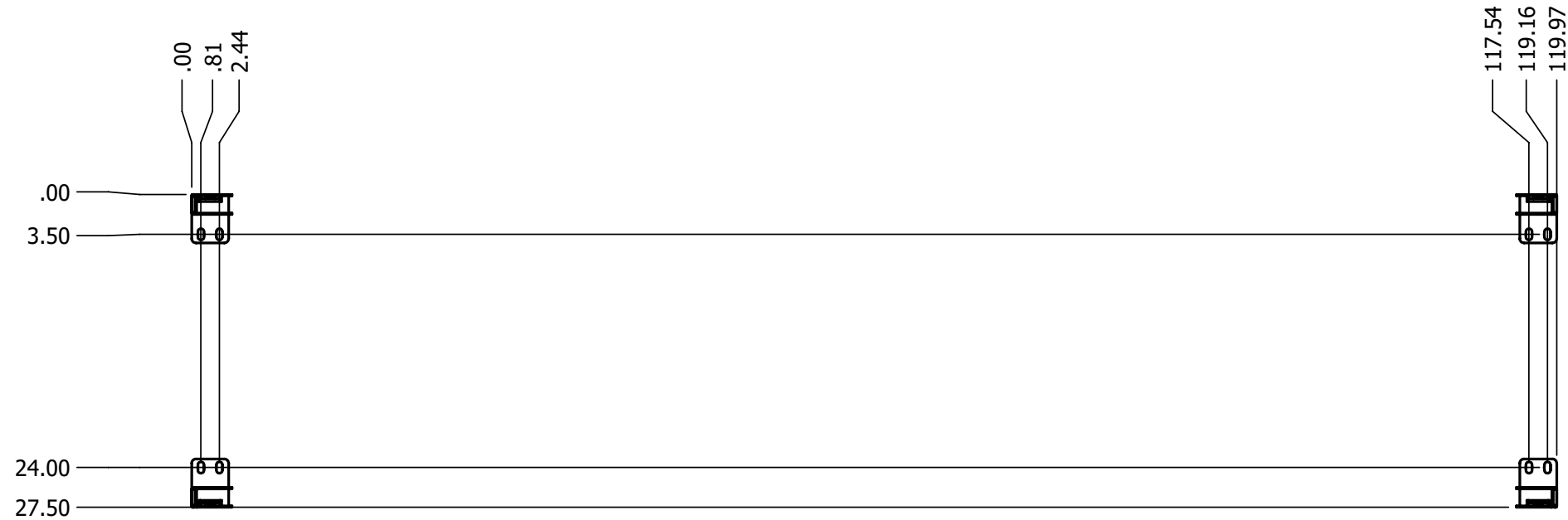
**DRAWING NUMBER:**

**SCALE:**

1:24

**REV. NO.**

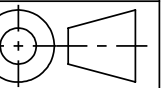




SECTION A-A  
SCALE 1 : 14

THIS DRAWING IS CONFIDENTIAL AND PROPRIETARY INFORMATION OF LAPEYRE STAIR INC. IT MAY NOT BE COPIED OR DISCLOSED TO THIRD PARTIES WITHOUT THE WRITTEN AUTHORIZATION OF LAPEYRE STAIR.

UNLESS OTHERWISE SPECIFIED  $\pm 1^\circ \pm 1/16$   
DIMENSIONS ARE IN INCHES .XX  $\pm 0.016$   
AND TOLERANCES ARE: .XXX  $\pm 0.005$



**LAPEYRE STAIR**  
5117 TOLER STREET, HARAHAN, LA 70123  
(800) 535-7631

**CUSTOMER INFORMATION:**

**DESCRIPTION:**

CrossOver Bridge, Industrial Standard 47.5 Inches Stair Ht, 46.125 Inches Verticle Clearance, 33 Inches Horizontal Clearance

**PROJECT REFERENCE:**

Test

**FINISH:**

Safety Yellow

**QUOTE NUMBER:**

00000

**Job Number**

**ESTIMATED WEIGHT:**

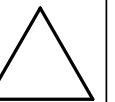
384.9955

**DO NOT SCALE THIS DRAWING**

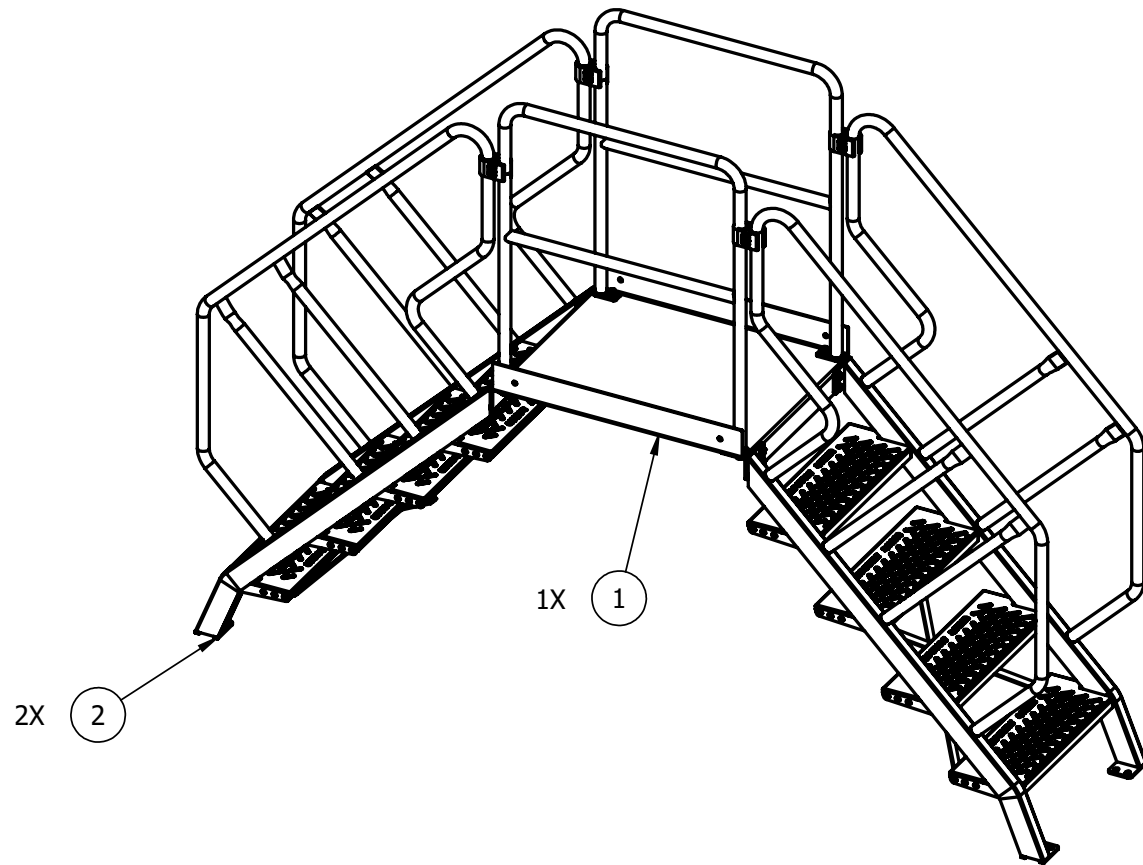
**DRAWING NUMBER:**

**SCALE:**  
1:8

**REV. NO.**



PICK LIST				
ITEM NO.	Part Number	Description	QTY.	Unit Of Measure
1	BRP-28.5-36	Crossover Bridge, 28.5" X 36" Carbon Steel, Safety Yellow	1	EA
1.1	BRP-28.5-36-TR	Crossover Bridge Platform 28.5 X 36 Carbon Steel	1	EA
1.2	BRP-33.25-HR	Crossover Bridge Rail With 90-90 Degree Angles, 33.25 Centerline, Carbon Steel	2	EA
2	BRS-47.5-42	Crossover Bridge Stair, 47.5H X 42P, Carbon Steel	2	EA
2.1	BRS-5R-LHRA	5 Riser Left Handrail Assembly	1	EA
2.2	BRS-5R-RHRA	5 Riser Right Handrail Assembly	1	EA
2.3	BSCB2-10362-CS	Cross Brace, Crossover Bridge Stair 1 Inch X 27.449 Inches Carbon Steel	2	EA



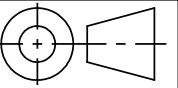
Order Qty:

**System Part # CSBR- 47.5 - 120.0 - 36.0 -Y**

Hardware Pick List			
Kit #	Part #	Qty.	UOM
Kit 10	9P-00-000-10	4	EA
Kit 3	9P-00-000-03	4	EA
ATS-6	ATS-6	1	EA
Kit, 2.0-2.5-Handrail Support Clamp	60316	4	EA

THIS DRAWING IS CONFIDENTIAL AND PROPRIETARY INFORMATION OF LAPEYRE STAIR INC. IT MAY NOT BE COPIED OR DISCLOSED TO THIRD PARTIES WITHOUT THE WRITTEN AUTHORIZATION OF LAPEYRE STAIR.

UNLESS OTHERWISE SPECIFIED ±1° ±1/16  
 DIMENSIONS ARE IN INCHES .XX ±.016  
 AND TOLERANCES ARE: .XXX ±.005



**LAPEYRE STAIR**  
 5117 TOLER STREET, HARRAHAN, LA 70123  
 (800) 535-7631

**CUSTOMER INFORMATION:**

**DESCRIPTION:**

CrossOver Bridge, Industrial Standard 47.5 Inches Stair Ht, 46.125 Inches Verticle Clearance, 33 Inches Horizontal Clearance

**PROJECT REFERENCE:**

Test

**FINISH:**

Safety Yellow

**QUOTE NUMBER:**

00000

**Job Number**

**ESTIMATED WEIGHT:**

384.9955

**DO NOT SCALE THIS DRAWING**

**DRAWING NUMBER:**

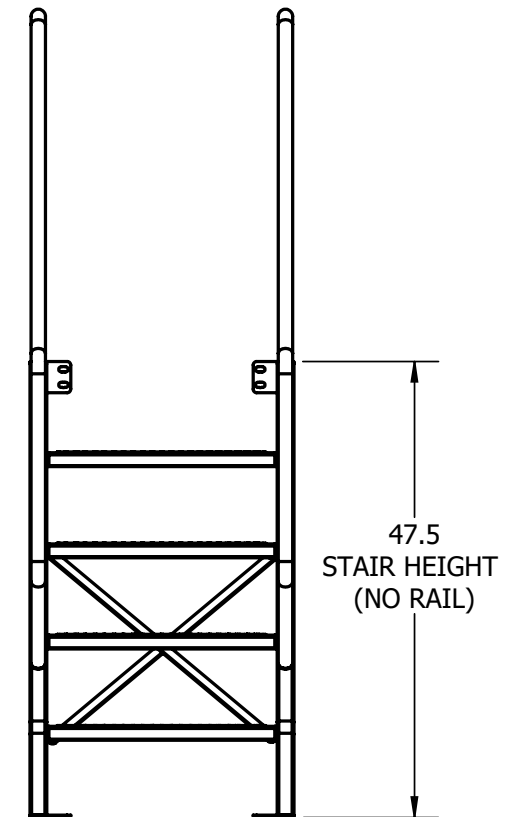
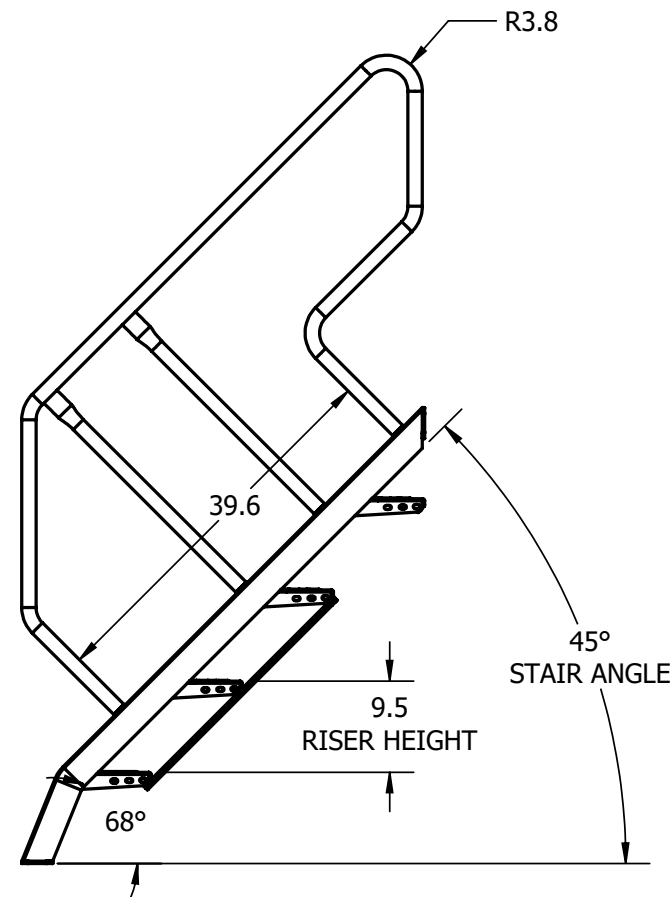
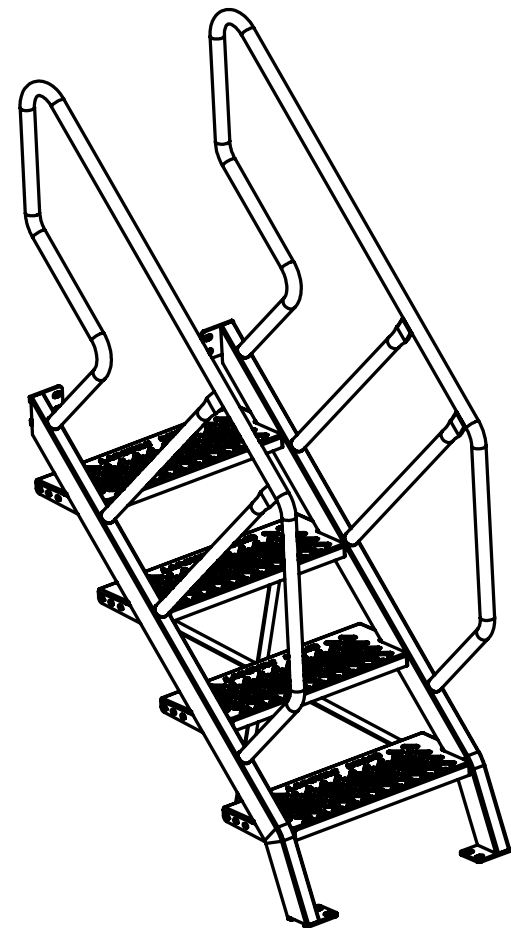
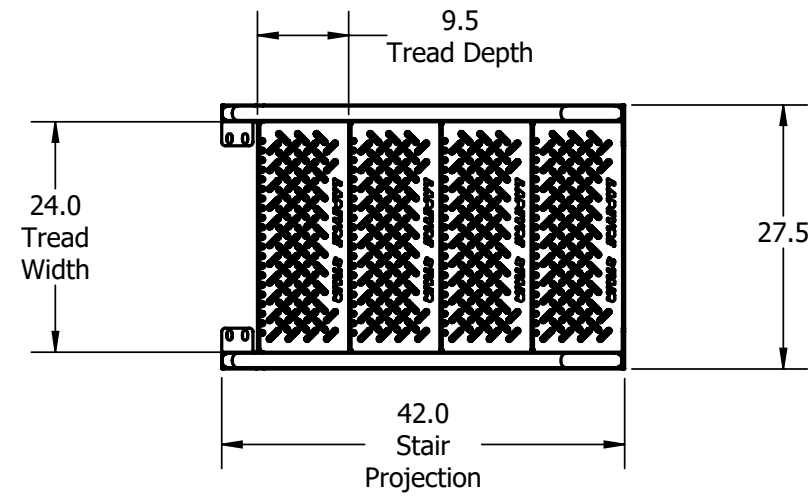
**SCALE:**

1:18

**REV. NO.**



Job #:  
 Order Quantity:  
 Ship Date:  
 Galvanize Date:



THIS DRAWING IS CONFIDENTIAL AND PROPRIETARY INFORMATION OF LAPEYRE STAIR INC. IT MAY NOT BE COPIED OR DISCLOSED TO THIRD PARTIES WITHOUT THE WRITTEN AUTHORIZATION OF LAPEYRE STAIR.

UNLESS OTHERWISE SPECIFIED  $\pm 1^\circ \pm 1/16$   
 DIMENSIONS ARE IN INCHES .XX  $\pm 0.016$   
 AND TOLERANCES ARE: .XXX  $\pm 0.005$

**LAPEYRE STAIR**  
 5117 TOLER STREET, HARRAHAN, LA 70123  
 (800) 535-7631

**CUSTOMER INFORMATION:**

**DESCRIPTION:**  
 Crossover Bridge Stair, 47.5H X 42P, Carbon Steel

**PROJECT REFERENCE:**

**FINISH:**

**QUOTE NUMBER:**  
 000000

**ESTIMATED WEIGHT:**  
 132.1730

**JOB NUMBER:**

**DO NOT SCALE THIS DRAWING**

**DRAWING NUMBER:**  
**SCALE:**  
 1:20

**REV. NO.**

