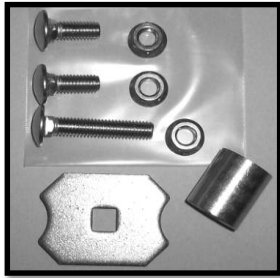


Included Hardware Sheet



KIT # 1

Part #	9P-00-000-01
QTY	0



KIT # 2

Part #	9P-00-000-02
QTY	0



KIT # 3

Part #	9P-00-000-03
QTY	3 ✓



KIT # 4

Part #	9P-00-000-04
QTY	3 ✓



KIT # 5

Part #	9P-00-000-05
QTY	0



KIT # 6

Part #	9P-00-000-06
QTY	4 ✓





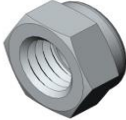

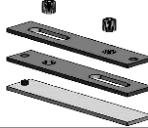
KIT # 7

Part #	9P-00-000-07
QTY	0

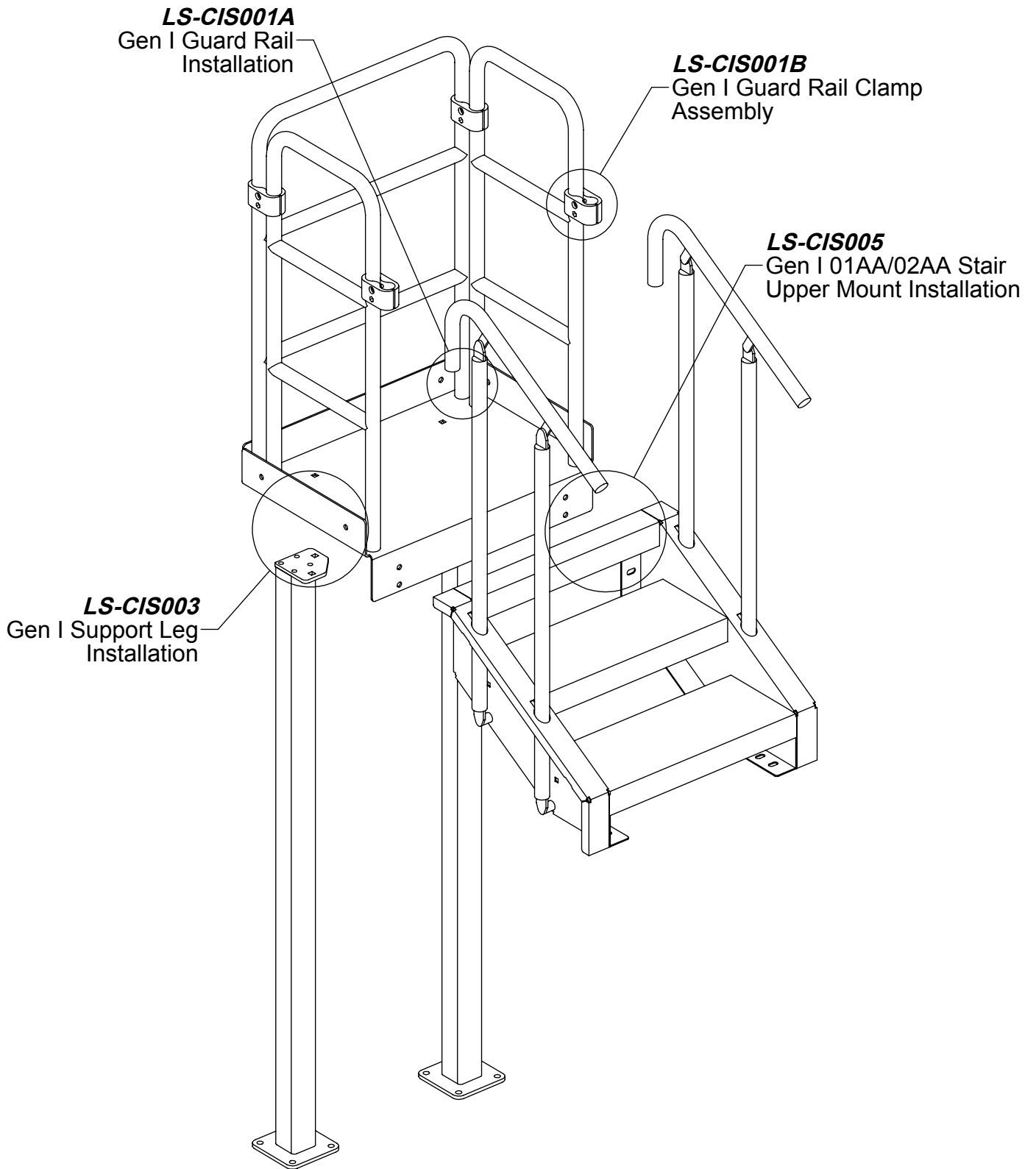


KIT # 8

Part #	9P-00-000-08
QTY	0

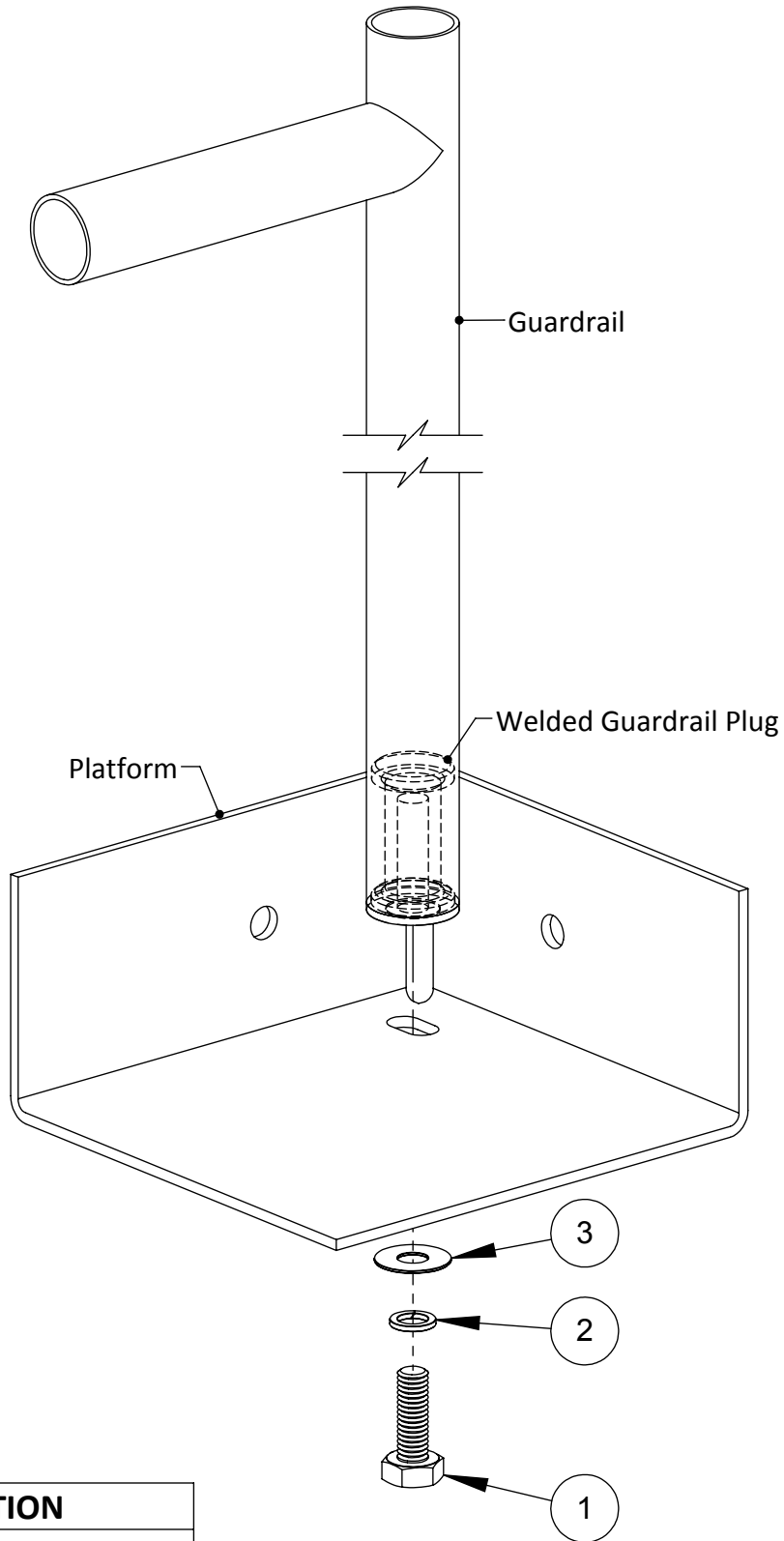
✓	PART #	QTY	DESCRIPTION	
✓	60116	8	Handrail Clamp Casting	
✓	65045	8	5/16-18 x 2 Hex Hd Machine Screws, SS	
✓	752026	8	5/16-18 Lock Nut, SS	
	65059	0	5/8 Extra Thick Washer	
	HS-02-000-10	0	Handrail Joiner	
	HC-01-000-00	0	3" Wall Mount Bracket	NO PICTURE
	9S-05-012-14	0	#14 x 3/4" SS Self Drilling Screw	NO PICTURE

- Only the items checked are included with your order.
- The list of supplied hardware to assemble stairs is included with the stair components
- Hardware quantities enclosed may include more than required to assemble components

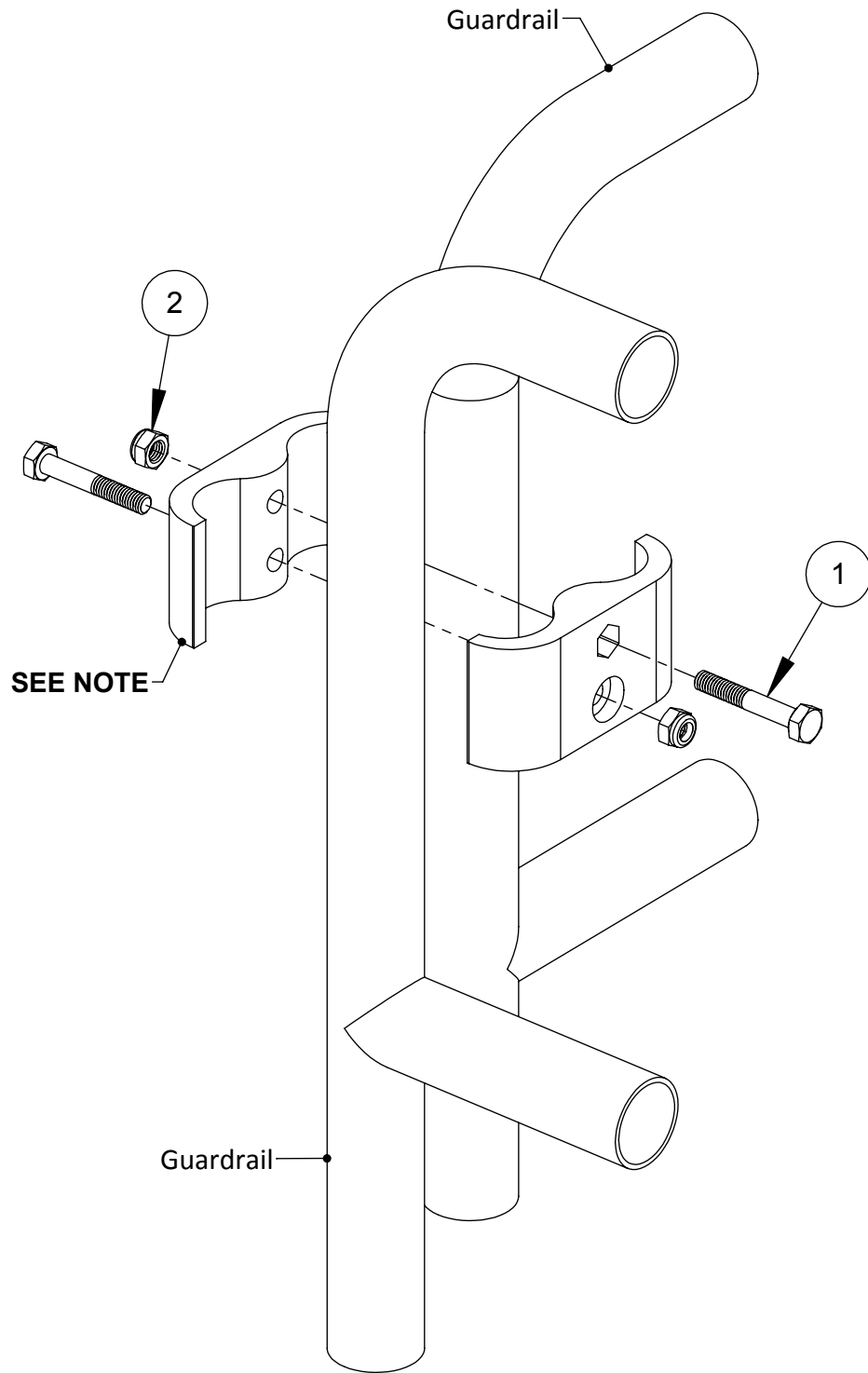


NOTES:

For assembly of stairs see instructions provided with stairs



ITEM	KIT #	DESCRIPTION
1	6	1/2-13 X 1-1/2" Hex Bolt
2	6	1/2" Lock Washer
3	6	1/2" SS Flat Washer

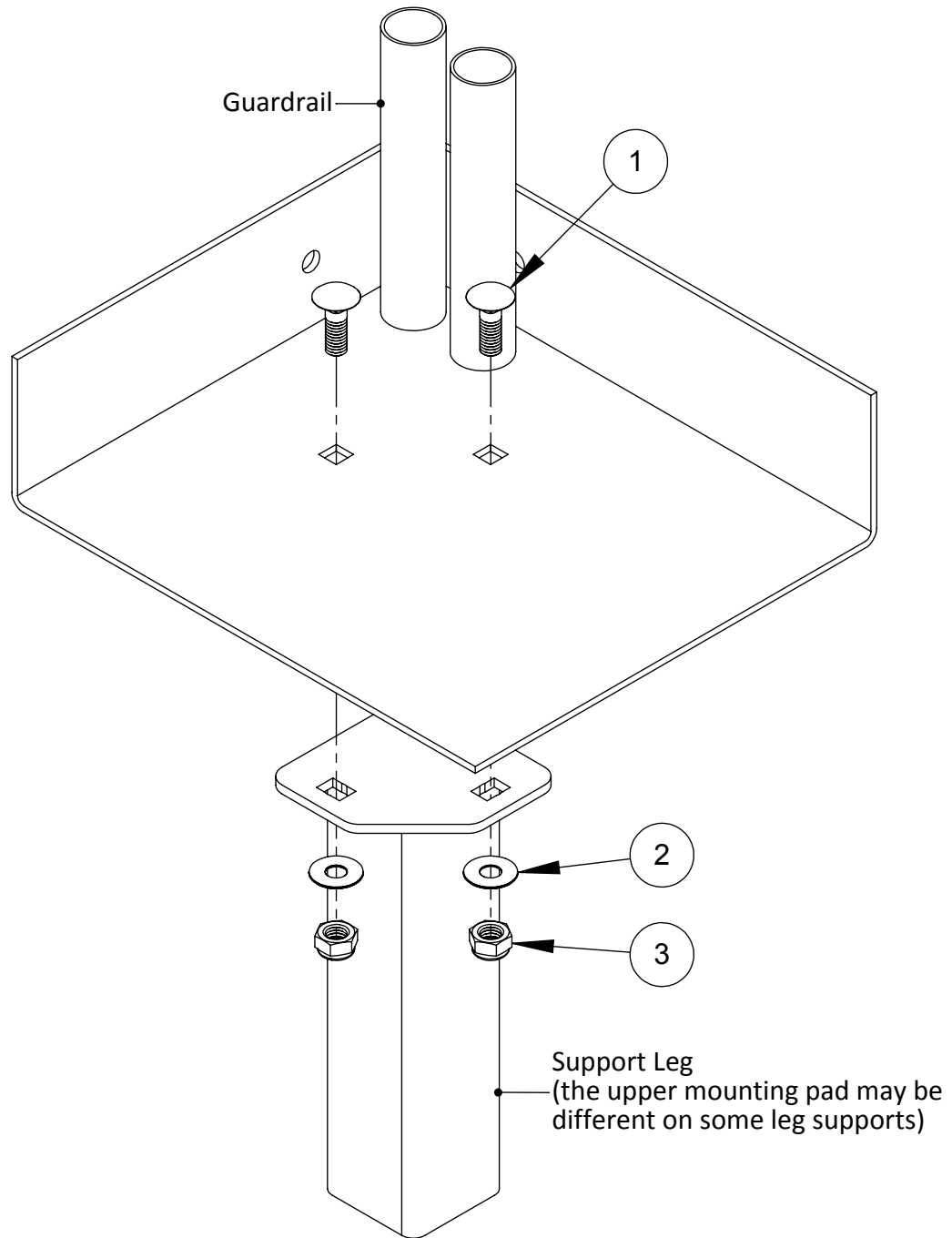


*QUANTITY IS PER CLAMP ASSEMBLY

ITEM	QTY*	DESCRIPTION
1	2	5/16-18 X 2" Hex Head Bolt
2	2	5/16-18 Locknut

NOTE:

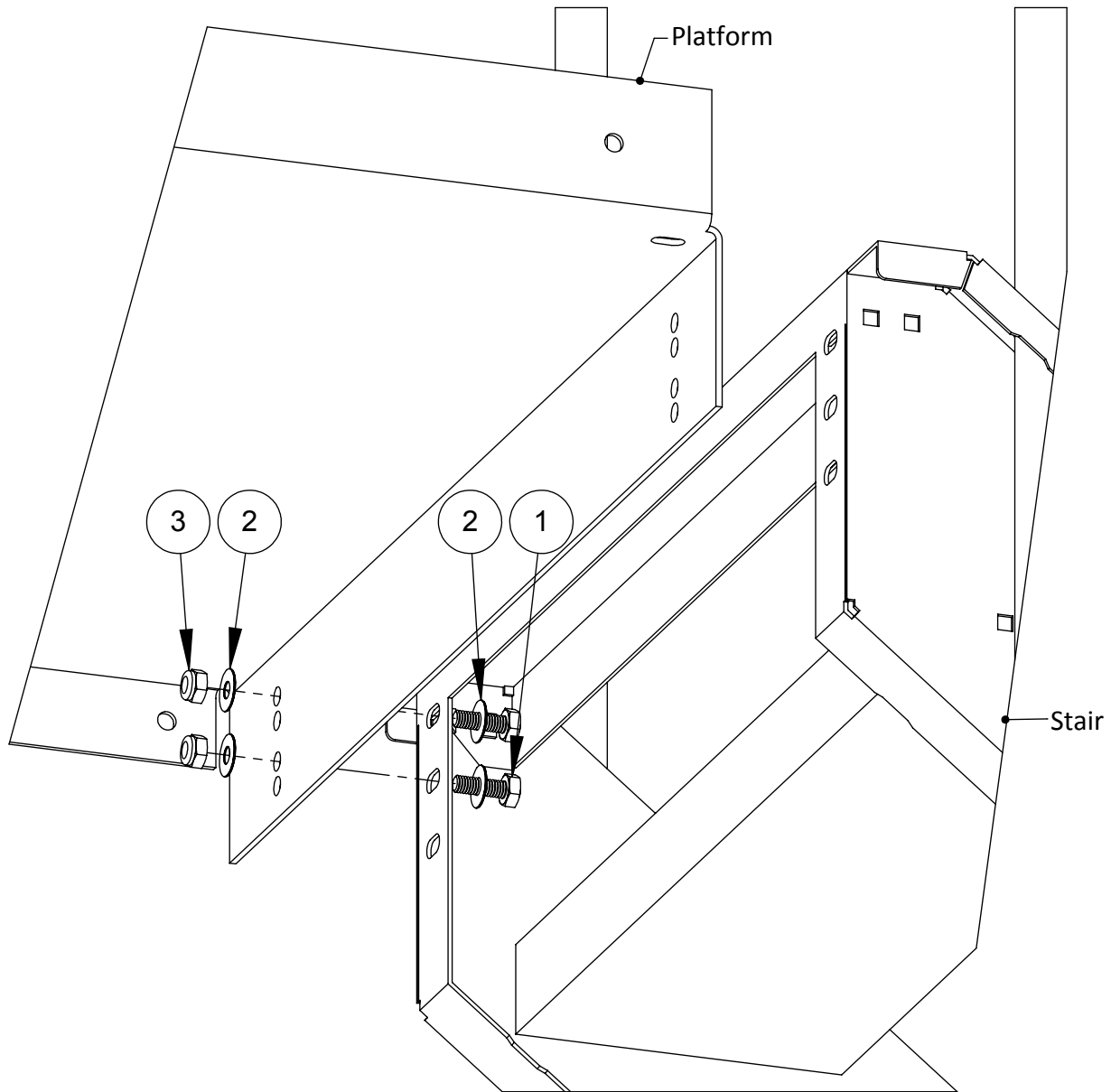
For vertical stability of the platform place the clamps as high as possible on the rail



ITEM	KIT #	DESCRIPTION
1	4	1/2-13 X 1-1/2" Carriage Bolt
2	4	1/2" Flat Washer
3	4	1/2-13 Lock Nut

NOTE:

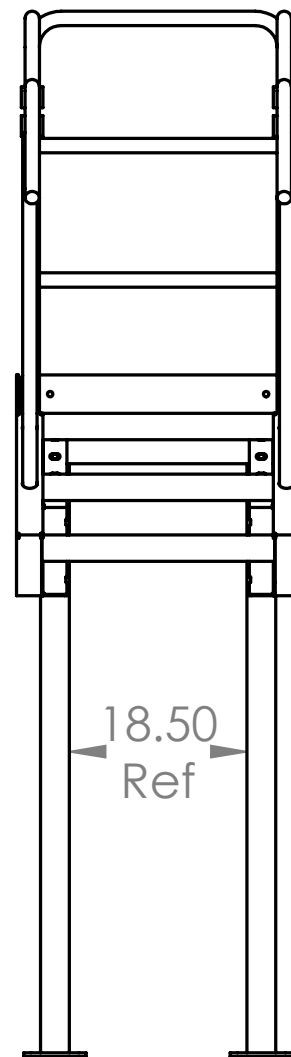
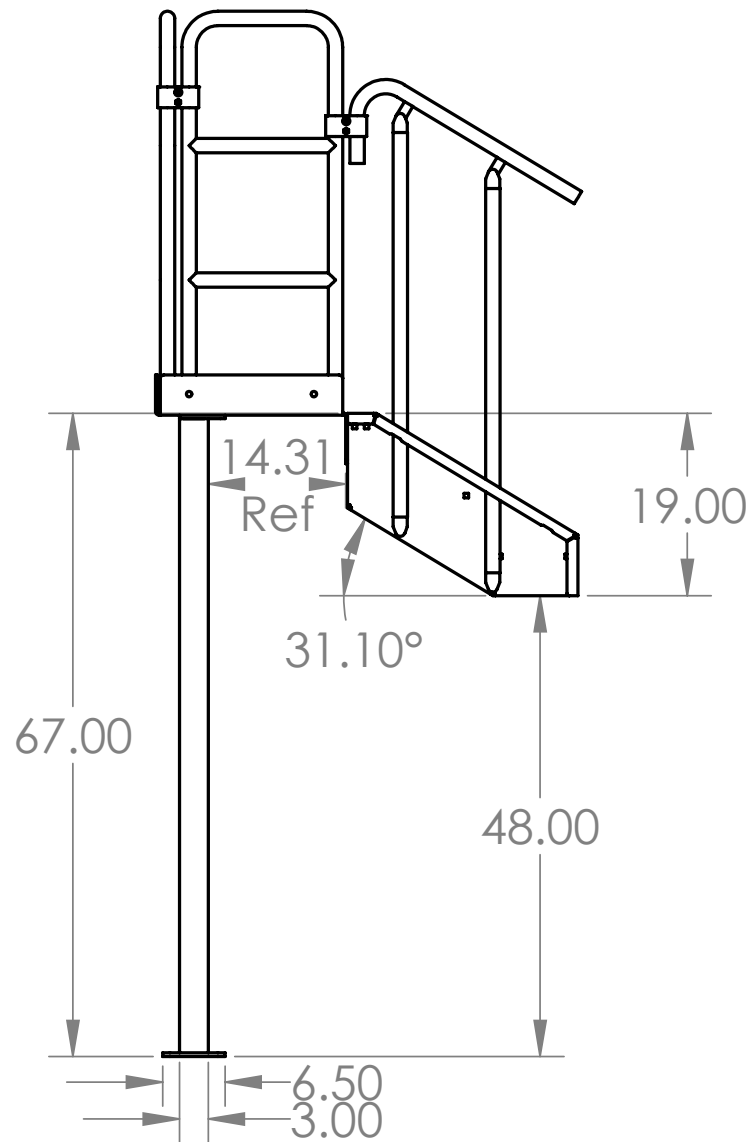
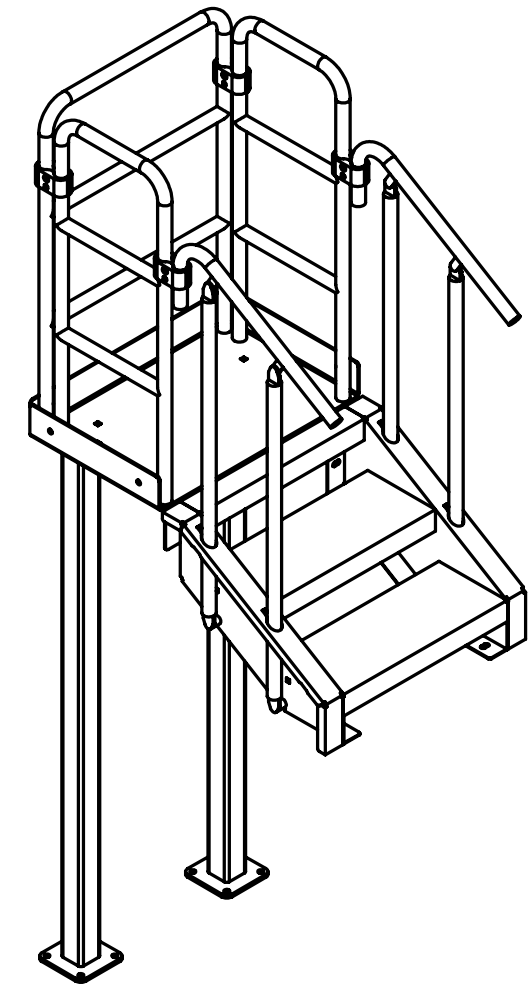
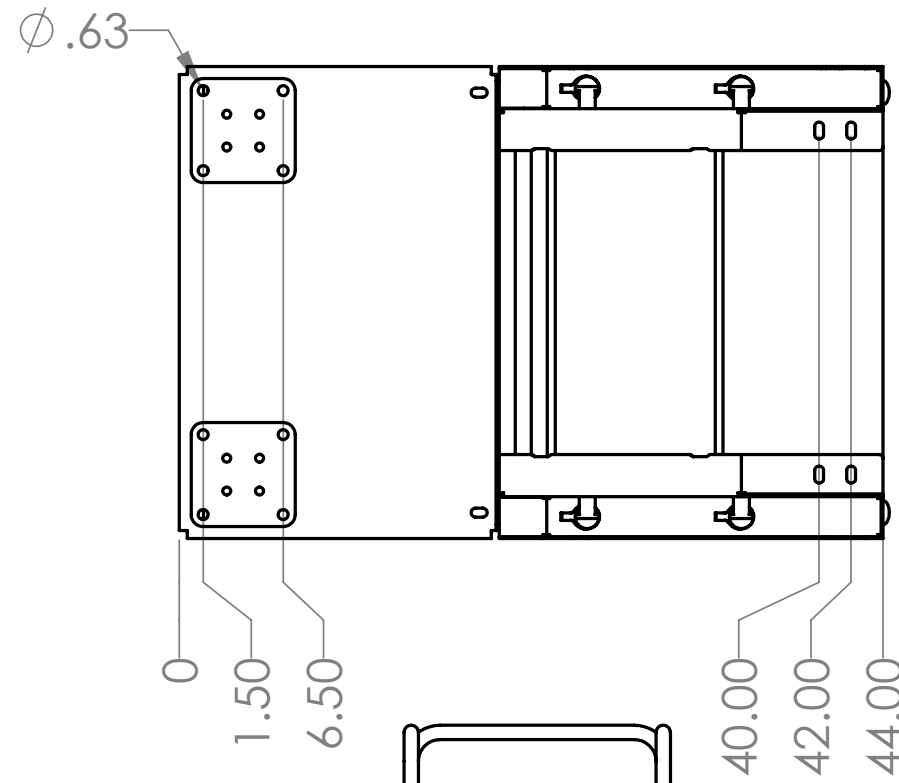
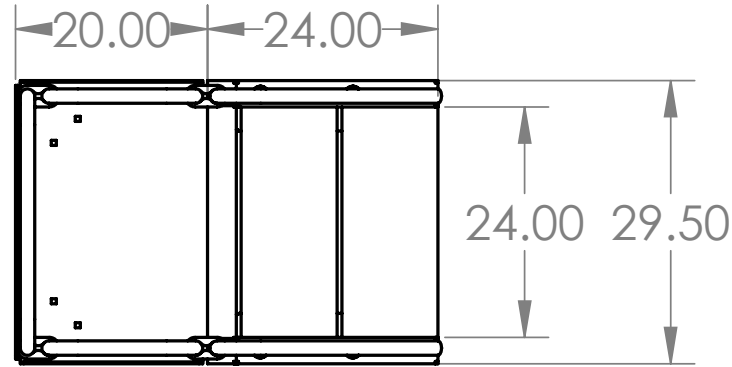
If two or more platforms are attached together, the upper pad on the support leg will be square with more mounting holes. This leg pad **must be mounted so it straddles the connected platforms and bolted through all mounting holes**



ITEM	KIT #	DESCRIPTION
1	3	1/2-13 X 1-1/2" Hex Bolt
2	3	1/2" Flat Washer
3	3	1/2-13 Lock Nut

THIS DRAWING IS CONFIDENTIAL AND PROPRIETARY INFORMATION OF LAPEYRE STAIR, INC. IT MAY NOT BE COPIED OR DISCLOSED TO THIRD PARTIES WITHOUT THE WRITTEN AUTHORIZATION OF LAPEYRE STAIR.

REVISIONS			
REV.	DESCRIPTION	DATE	DRAWN



UNLESS OTHERWISE SPECIFIED
DIMENSIONS ARE IN INCHES
TOLERANCES ARE:
FRACTIONS: DECIMALS ANGLES:
 $\pm 1/16$.XX $\pm .016$ $\pm 1^\circ$
.XXX $\pm .005$

Lapeyre Stair, Inc.
A SUBSIDIARY OF THE LAITRAM CORP.

5117 Toler Street
Harahan, LA 70123
(800) 535-7631
Fax: (504) 733-4393



DRAWN: DATE: 3/6/18

COMPANY:

APPROVAL: DATE:

Project/ Ref: Req-6115-Work Platform

Request # 6115

SCALE: None

SHEET: 1 of 1

DO NOT SCALE THIS DRAWING

REV.
0