

# Included Hardware Sheet



**KIT # 1**

Part #	9P-00-000-01	
QTY	<b>46</b>	✓



**KIT # 2**

Part #	9P-00-000-02	
QTY	<b>14</b>	✓



**KIT # 3**

Part #	9P-00-000-03	
QTY	<b>44</b>	✓



**KIT # 4**

Part #	9P-00-000-04	
QTY	<b>16</b>	✓



**KIT # 5**

Part #	9P-00-000-05	
QTY	<b>4</b>	✓



**KIT # 6**

Part #	9P-00-000-06	
QTY	<b>0</b>	





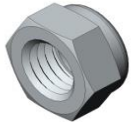


**KIT # 7**

Part #	9P-00-000-07	
QTY	<b>0</b>	

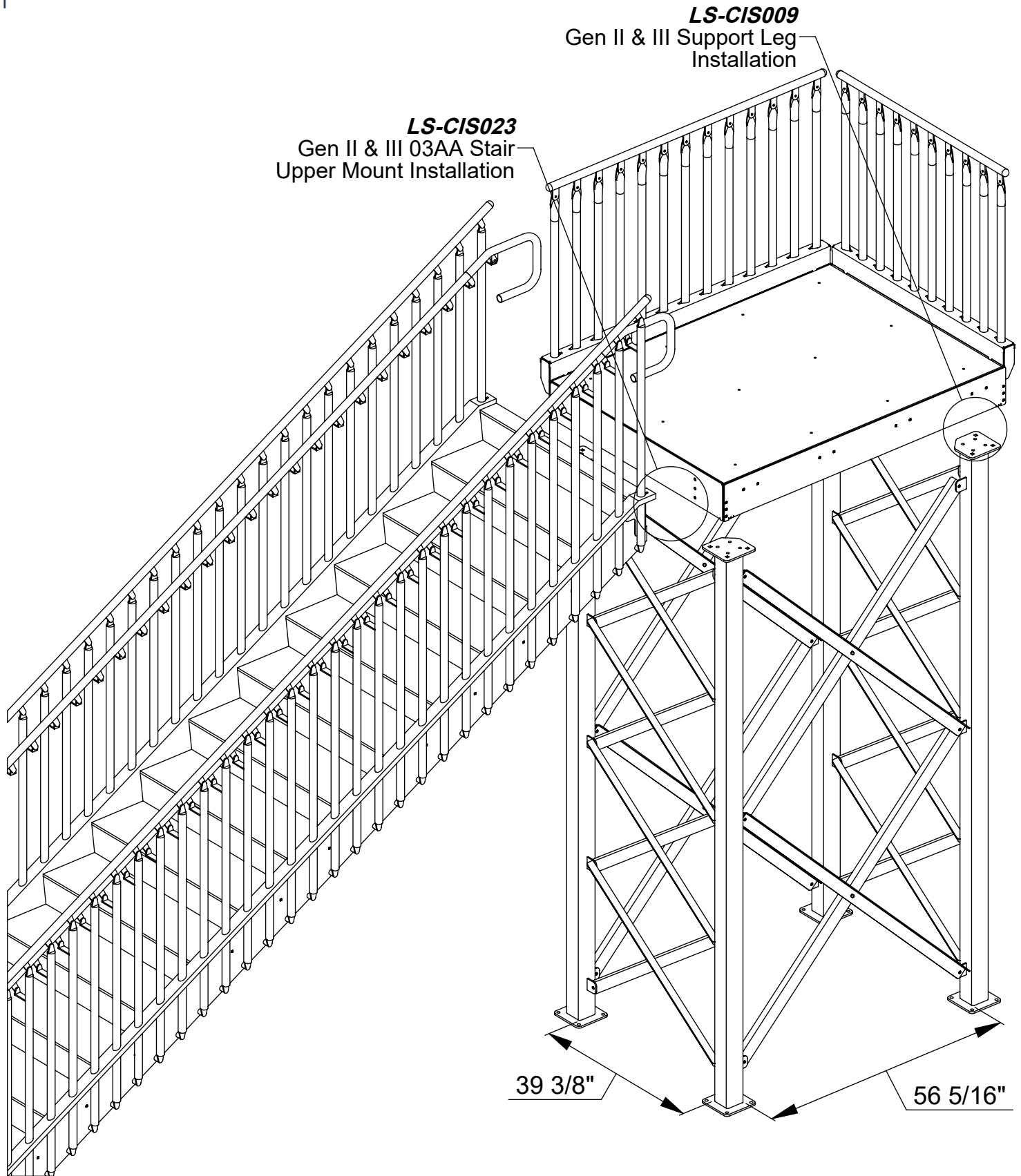


**KIT # 8**

Part #	9P-00-000-08	
QTY	<b>0</b>	

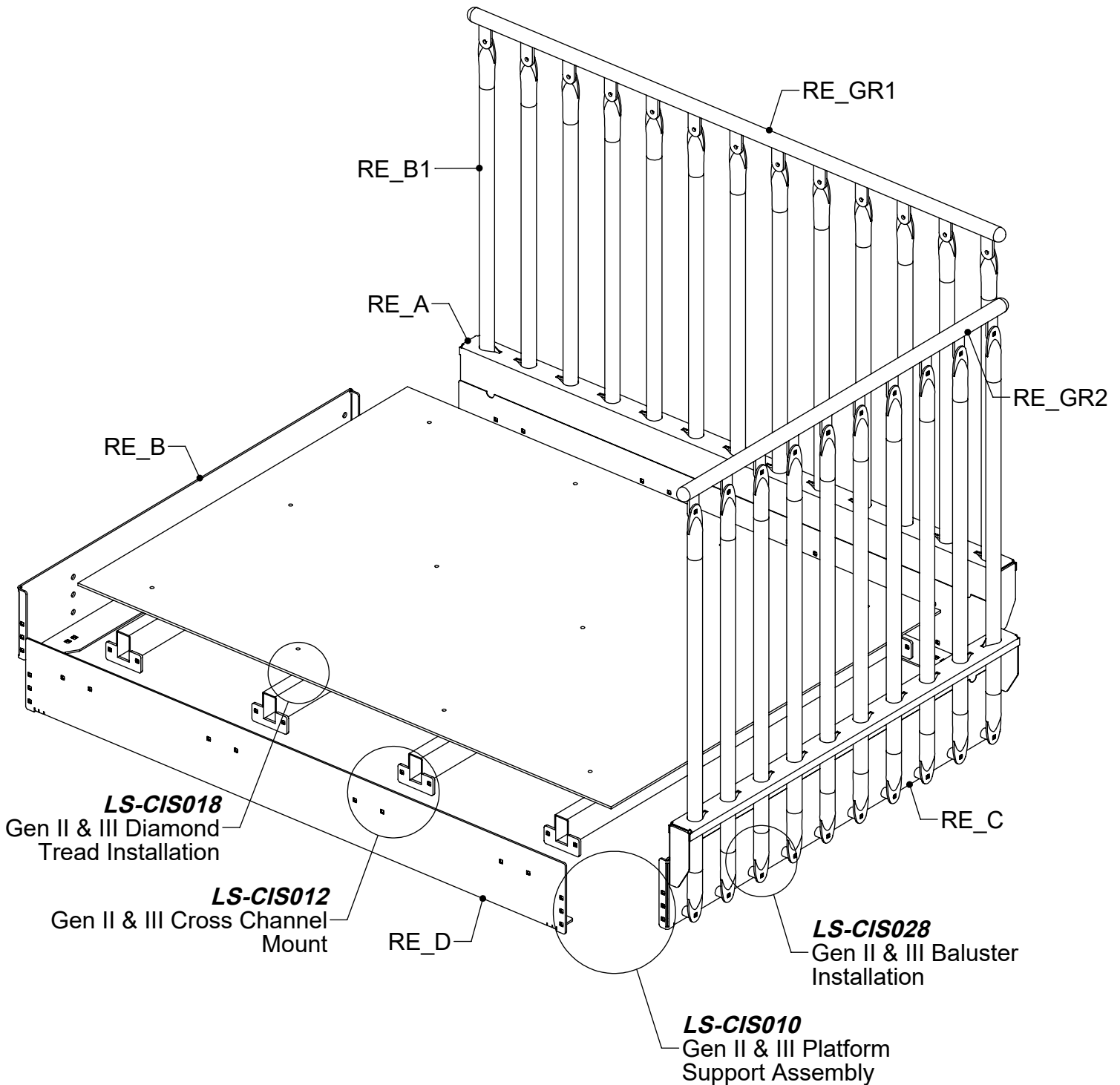
✓	PART #	QTY	DESCRIPTION	
	60116	<b>0</b>	Handrail Clamp Casting	
	65045	<b>0</b>	5/16-18 x 2 Hex Hd Machine Screws, SS	
	752026	<b>0</b>	5/16-18 Lock Nut, SS	
✓	65059	<b>24</b>	1/2 Extra Thick (1/4") Washer, SS	
	HS-02-000-10	<b>0</b>	Handrail Joiner	
	HC-01-000-00	<b>0</b>	3" Wall Mount Bracket	NO PICTURE
	9S-05-012-14	<b>0</b>	#14 x 3/4" SS Self Drilling Screw	NO PICTURE

- Only the items checked are included with your order.
- The list of supplied hardware to assemble stairs is included with the stair components
- Hardware quantities enclosed may include more than required to assemble components



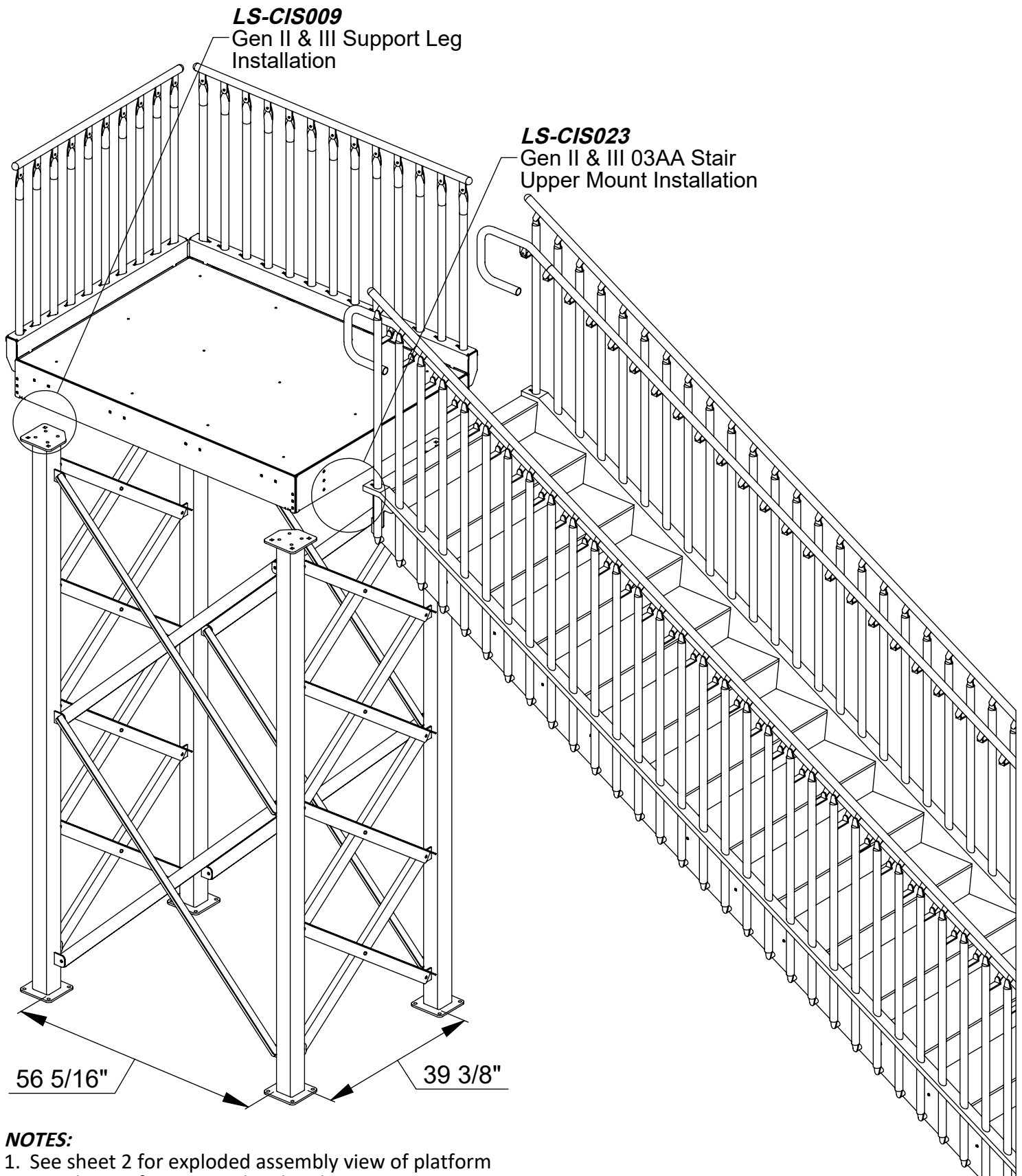
**NOTES:**

1. See sheet 2 for exploded assembly view of platform
2. See sheet 5 for support leg details
3. Stair assembly instructions are included with stairs



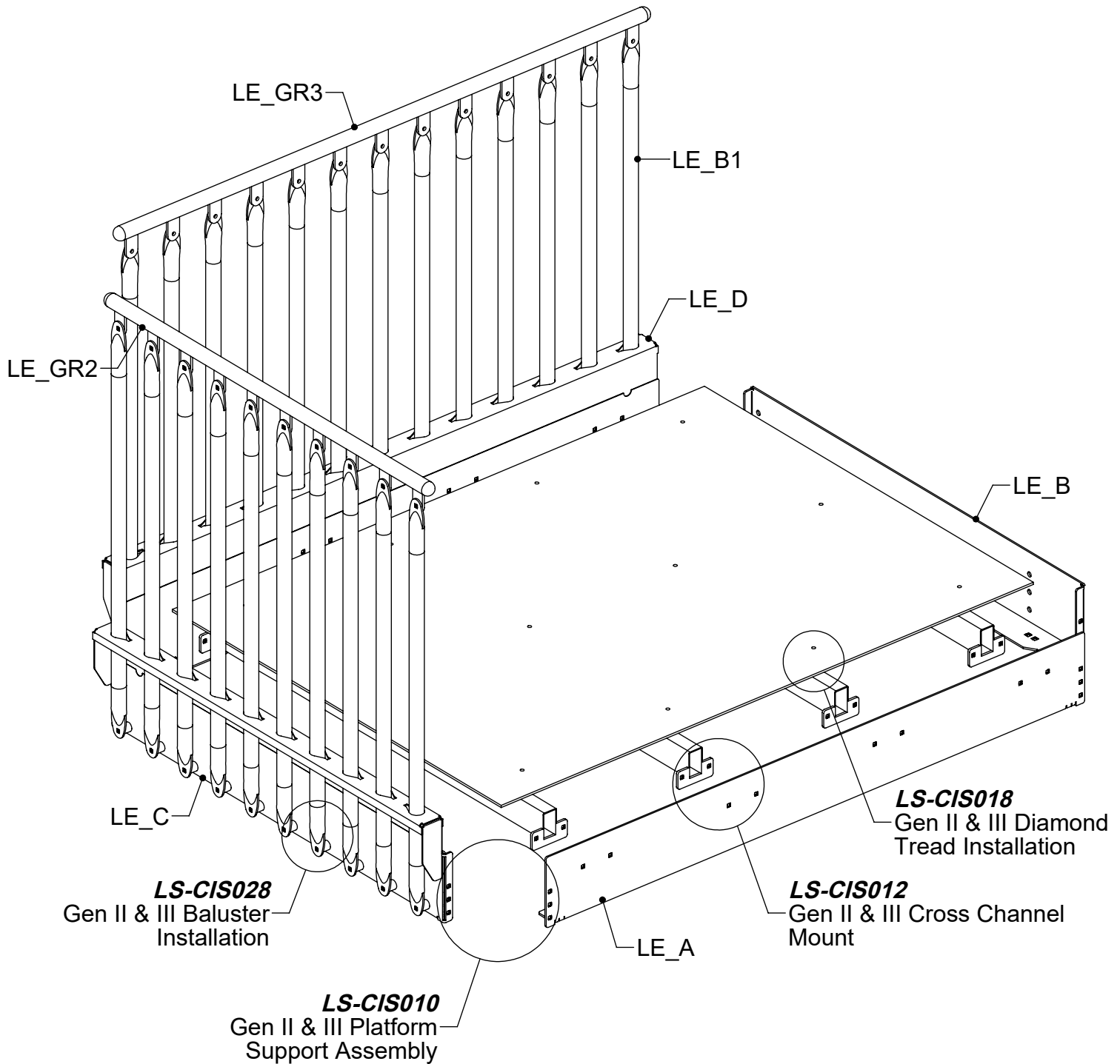
**ASSEMBLY NOTES:**

1. Bolt all platform side supports (*RE\_A-RE\_D*) together using the supplied hardware (do not tighten the hardware at this time)
2. Install the cross channels
3. Square up the platform making sure all side supports are vertical then tighten all bolts
4. Install the balusters and guardrails
5. Mount the platform decking (tread plate, bar grate, grip tread, or concrete base plate) onto the cross channels



**NOTES:**

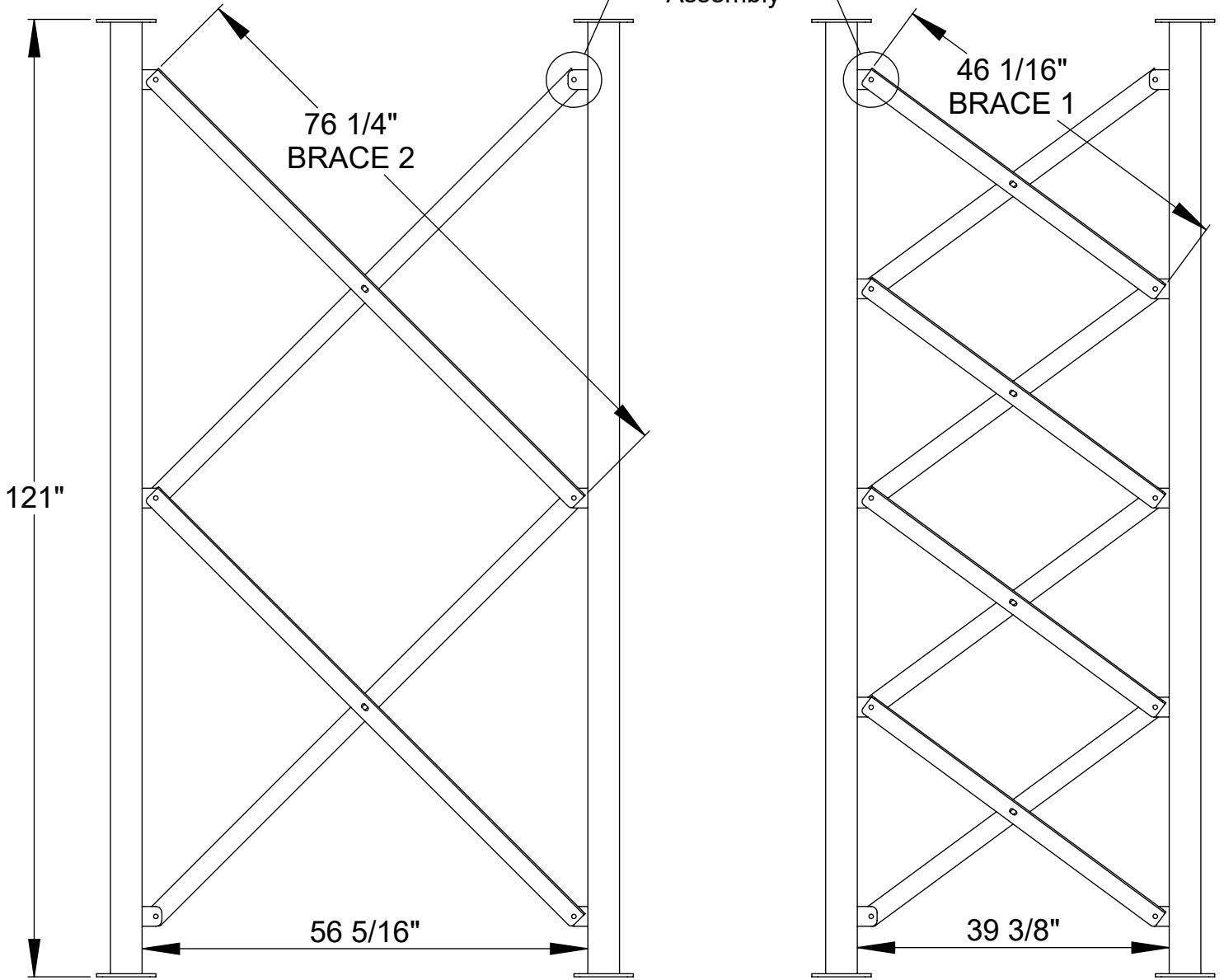
1. See sheet 2 for exploded assembly view of platform
2. See sheet 5 for support leg details
3. Stair assembly instructions are included with stairs

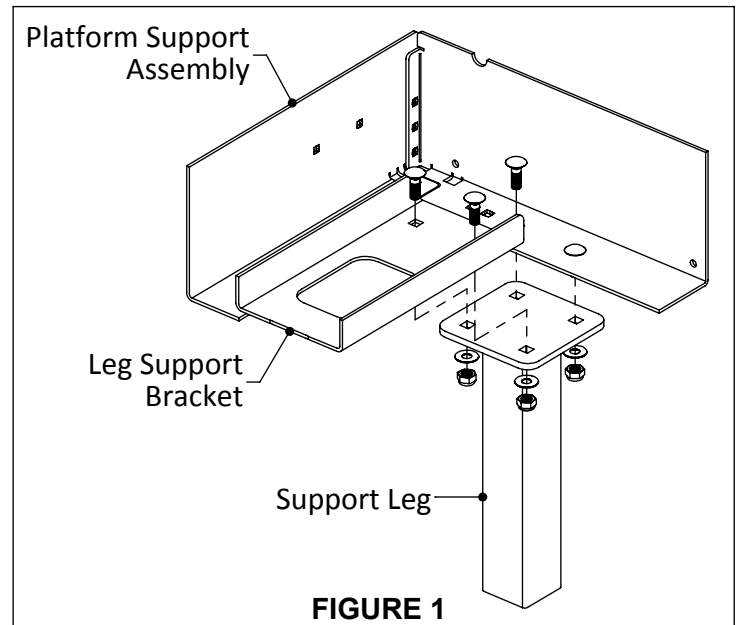
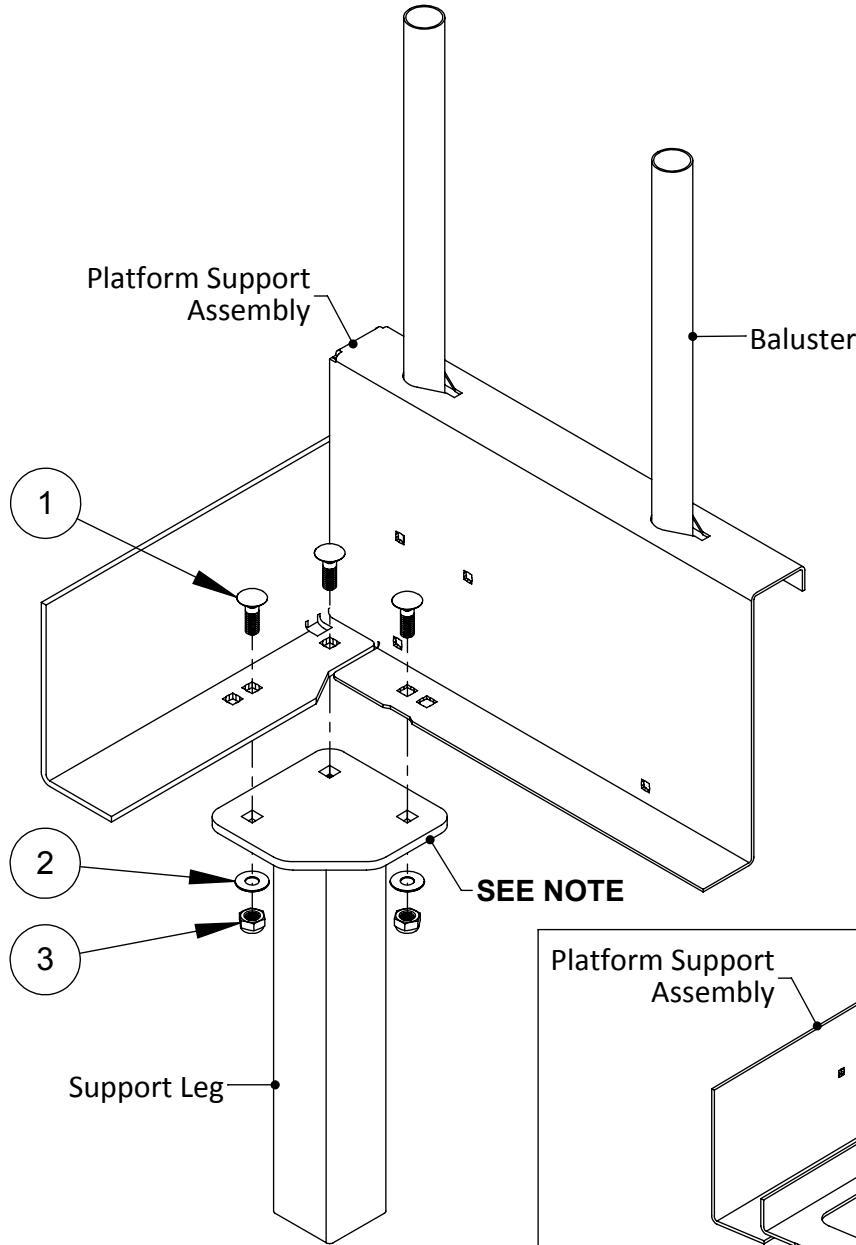


**ASSEMBLY NOTES:**

1. Bolt all platform side supports (A-D) together using the supplied hardware (do not tighten the hardware at this time)
2. Install the cross channels
3. Square up the platform making sure all side supports are vertical then tighten all bolts
4. Install the balusters and guardrails
5. Mount the platform decking (tread plate, bar grate, grip tread, or concrete base plate) onto the cross channels

**LS-CIS008B**  
Support Leg  
X-Brace  
Assembly

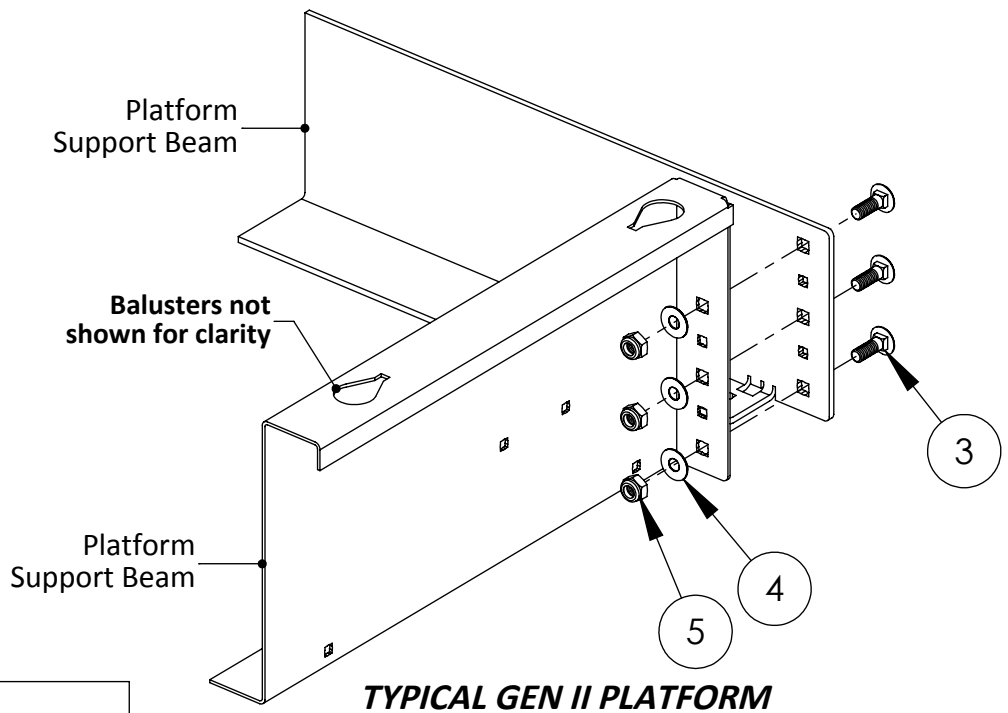
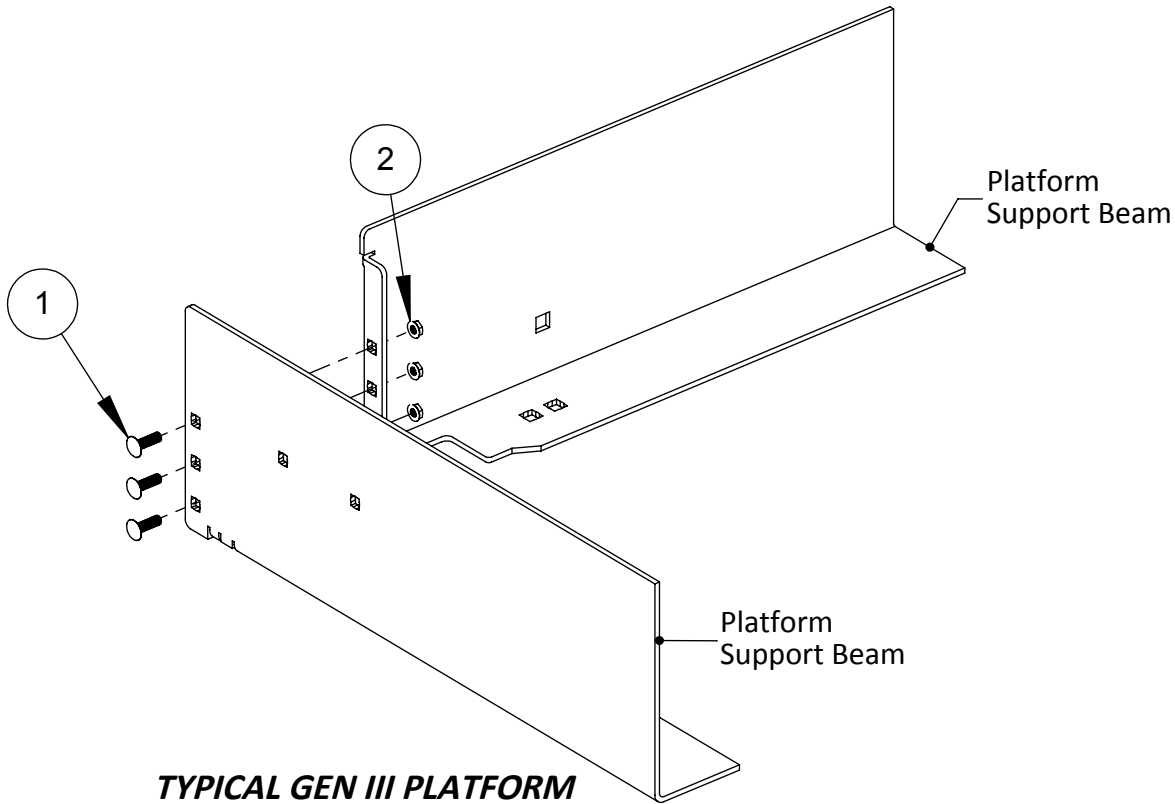




**NOTE:**

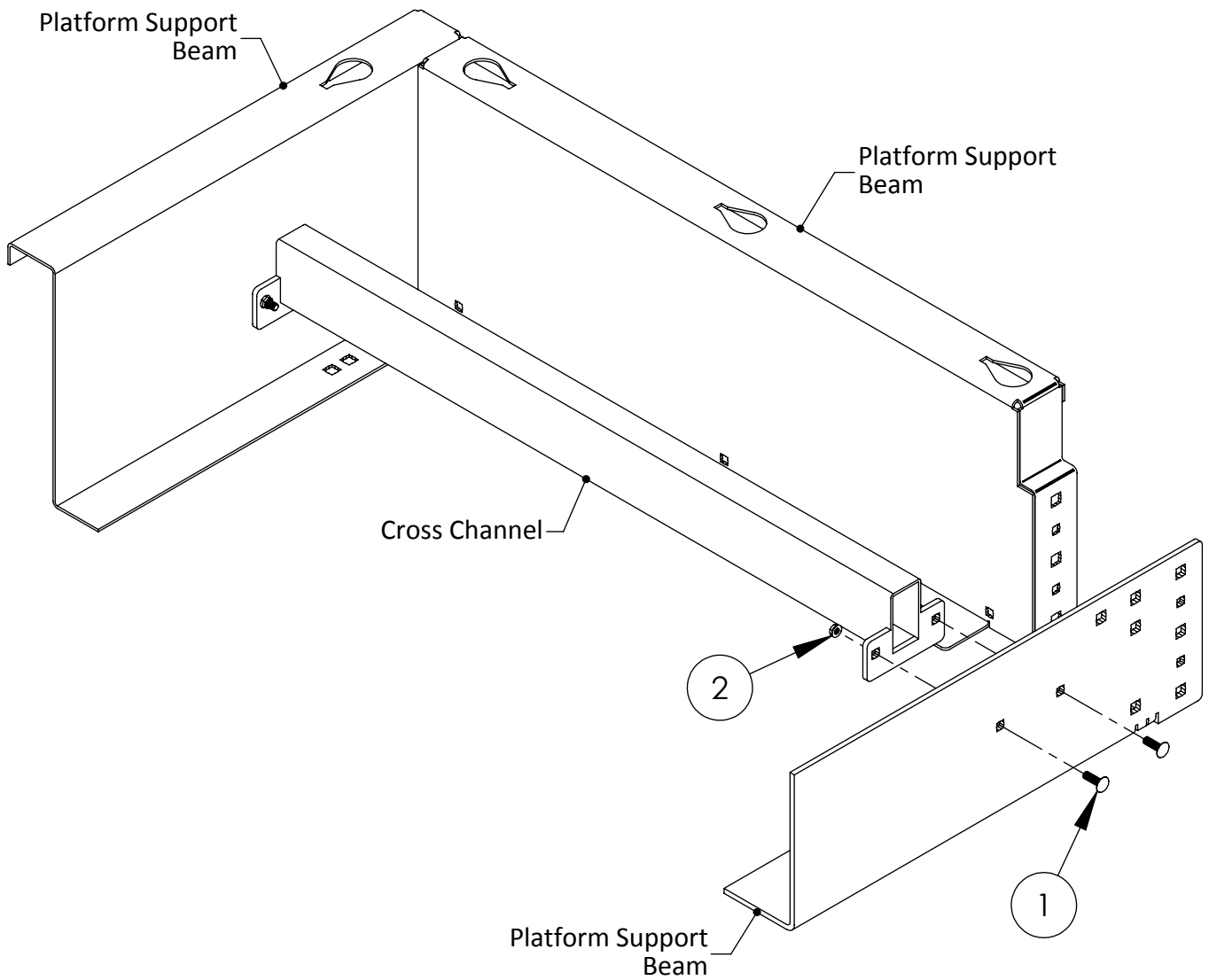
If two or more platforms are attached together, or the position of the leg requires extra support (as in **Fig. 1**), the upper pad on the leg will be square with 4 mounting holes. In this case the leg pad **must be mounted so it straddles the connected platforms or support bracket**. Fasten the leg by utilizing all connection holes. The legs to the outside of the platform will utilize only 3 holes.

ITEM	KIT #	DESCRIPTION
1	4	1/2-13 X 1-1/2" Carriage Bolt
2	4	1/2" Flat Washer
3	4	1/2-13 Lock Nut

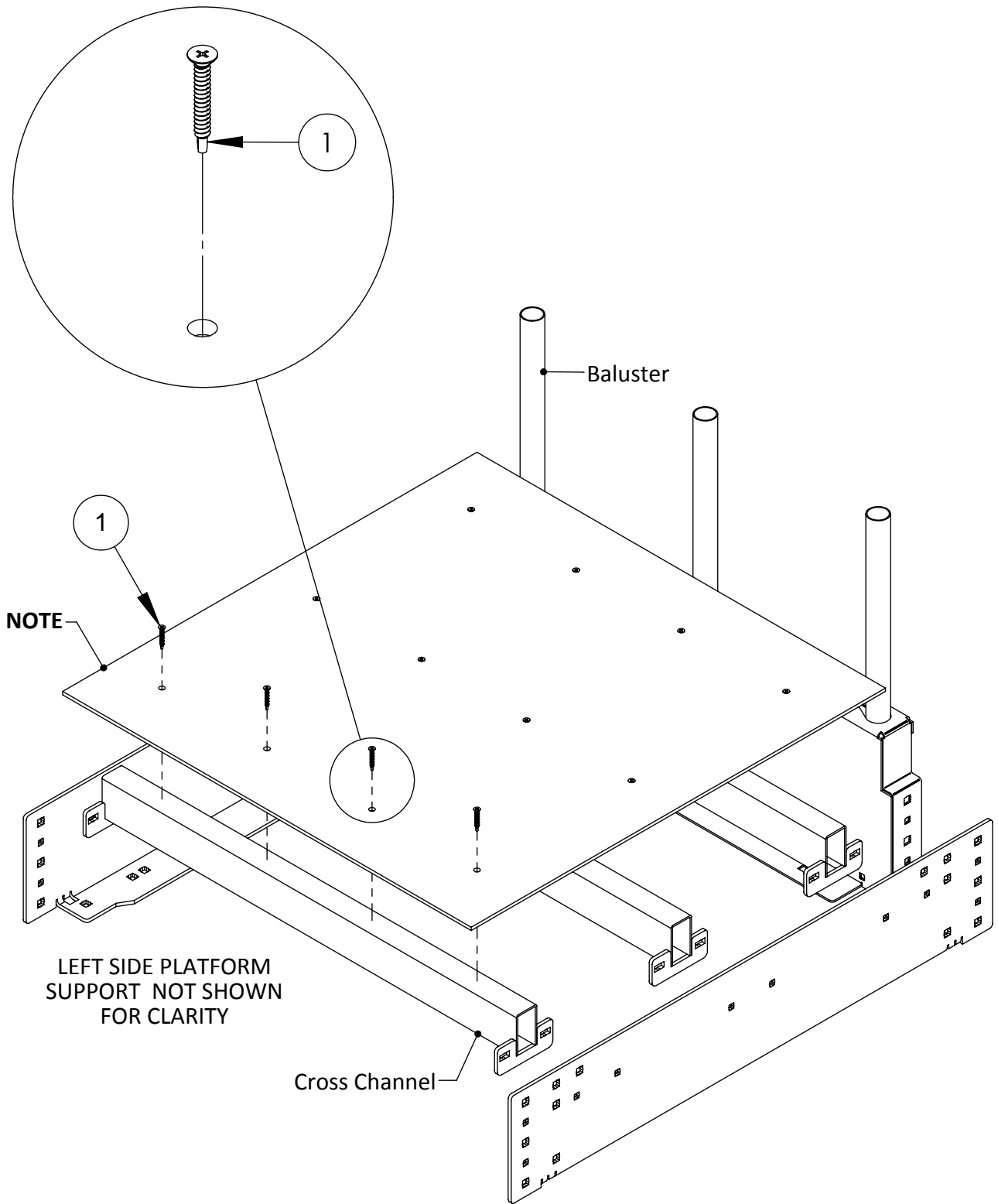


ITEM	KIT #	DESCRIPTION
1	2	3/8-16 X 1" Carriage Bolt
2	2	3/8-16 Serrated Lock Nut
3	4	1/2-13 X 1-1/2" Carriage Bolt
4	4	1/2" Flat Washer
5	4	1/2-13 Lock Nut



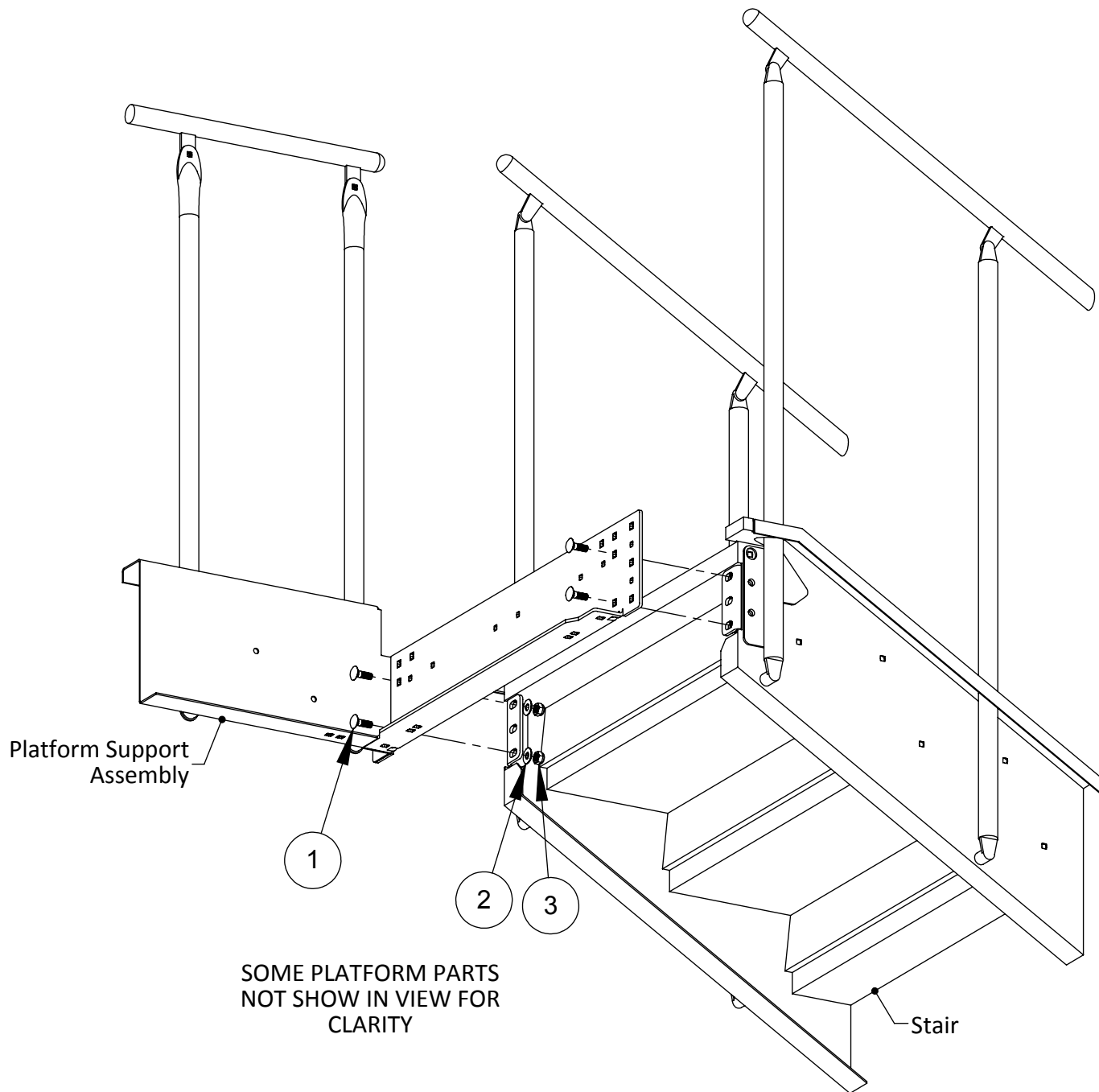


ITEM	KIT #	DESCRIPTION
1	2	3/8-16 X 1" Carriage Bolt
2	2	3/8-16 Serrated Lock Nut

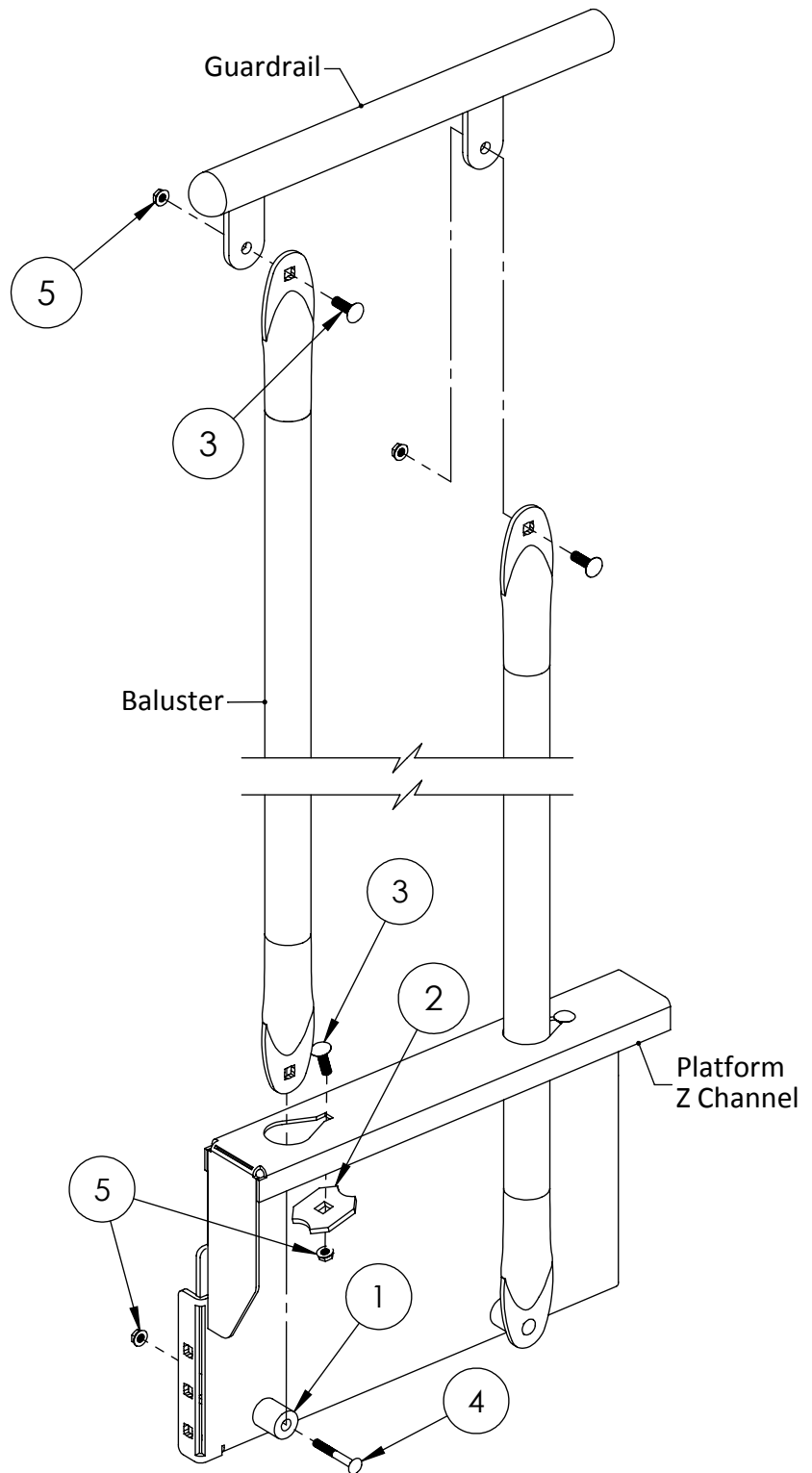
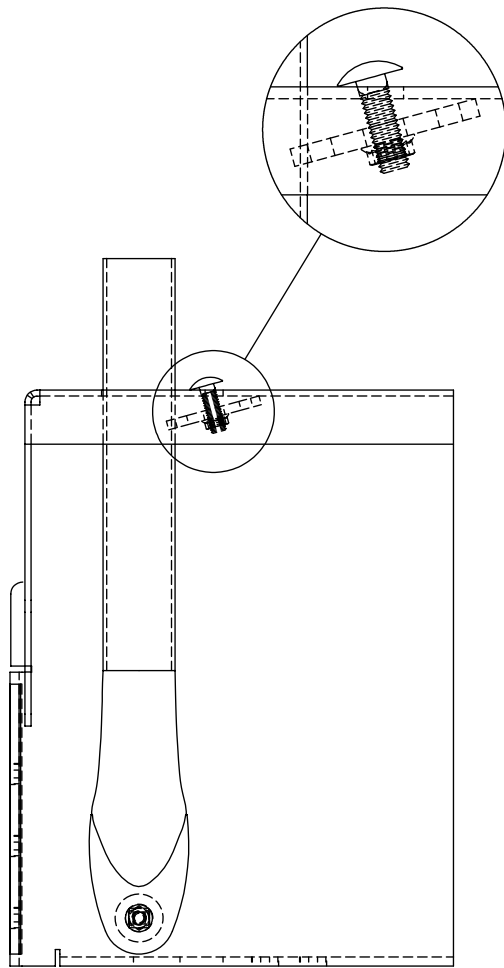


ITEM	KIT #	DESCRIPTION
1	5	#14 x 1-1/2" Self Tap Screw

**NOTE:**  
In *CONCRETE PAN* installations Flat Plate is used for the Platform Deck



ITEM	KIT #	DESCRIPTION
1	4	1/2-13 X 1-1/2" Carriage Bolt
2	4	1/2" Flat Washer
3	4	1/2-13 Lock Nut



### INSTALLING THE BALUSTER LOCK

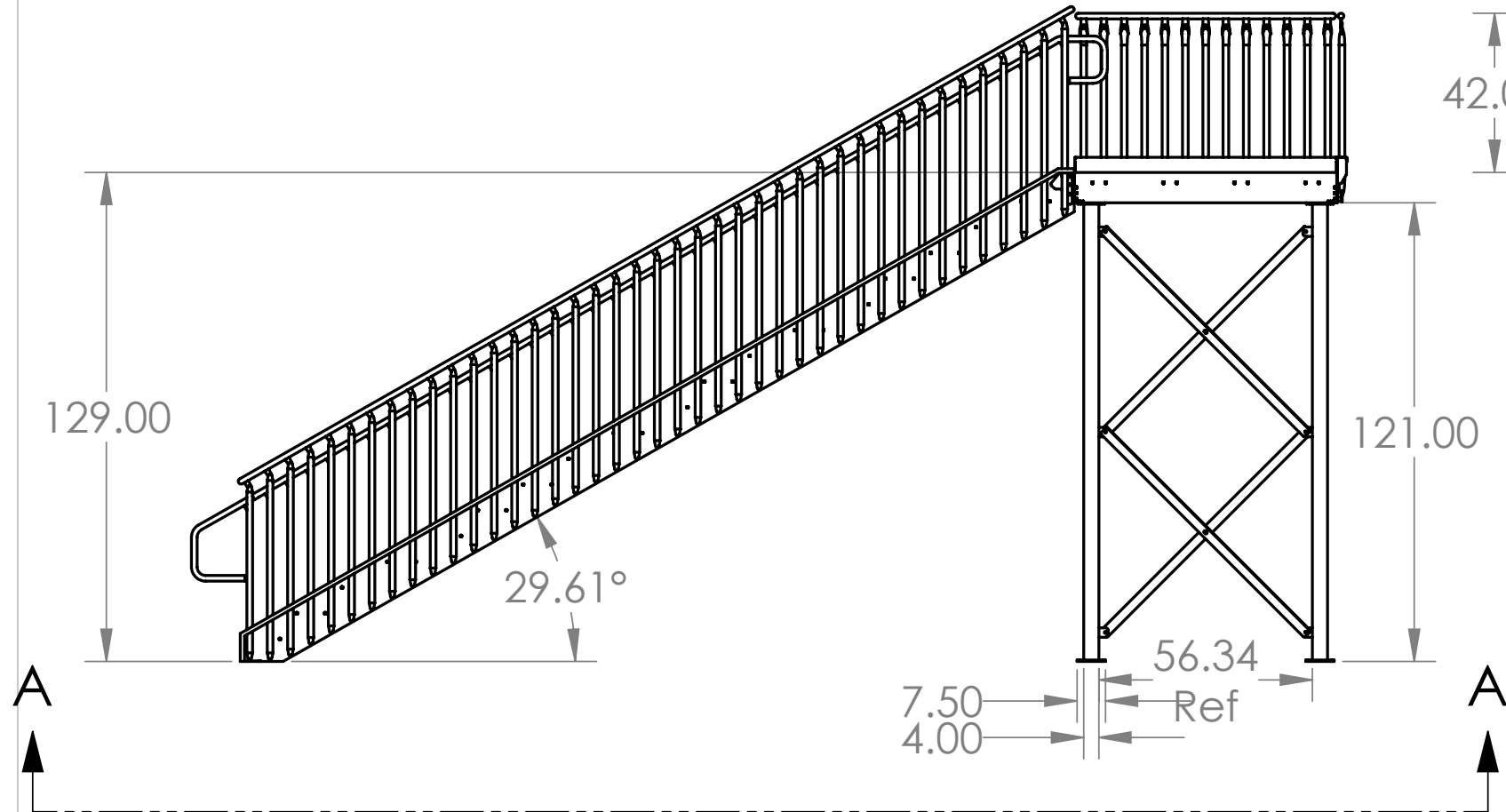
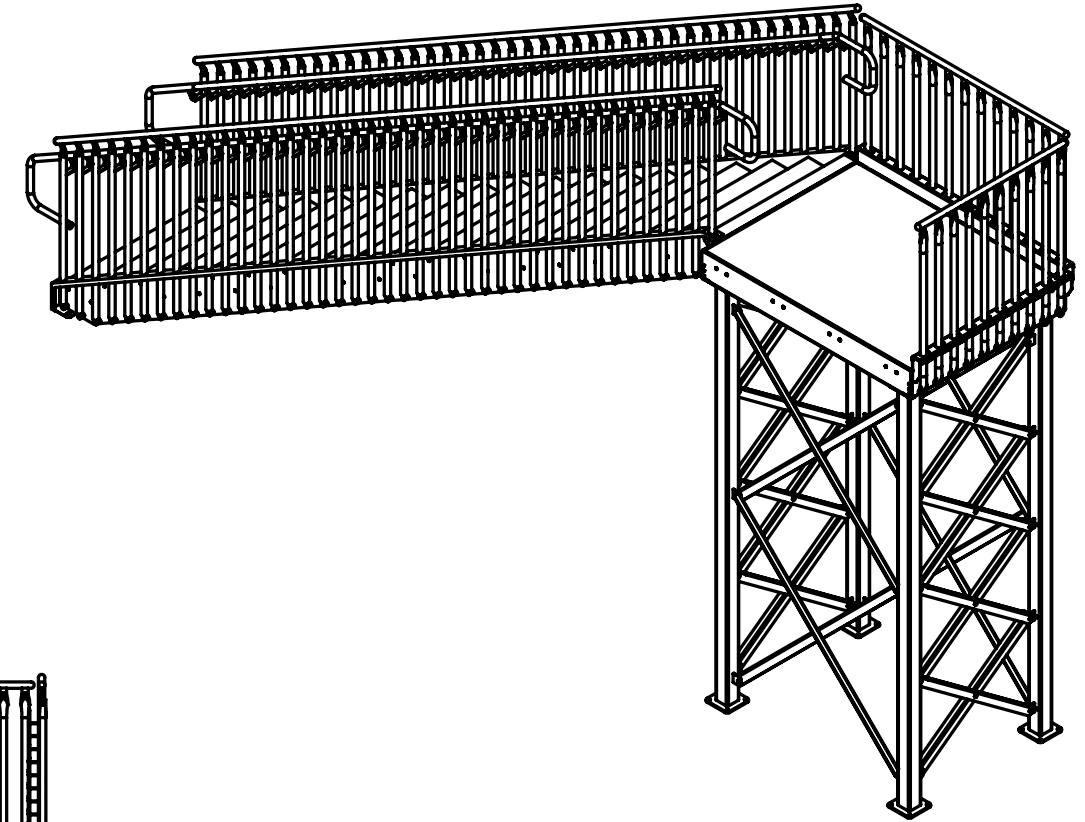
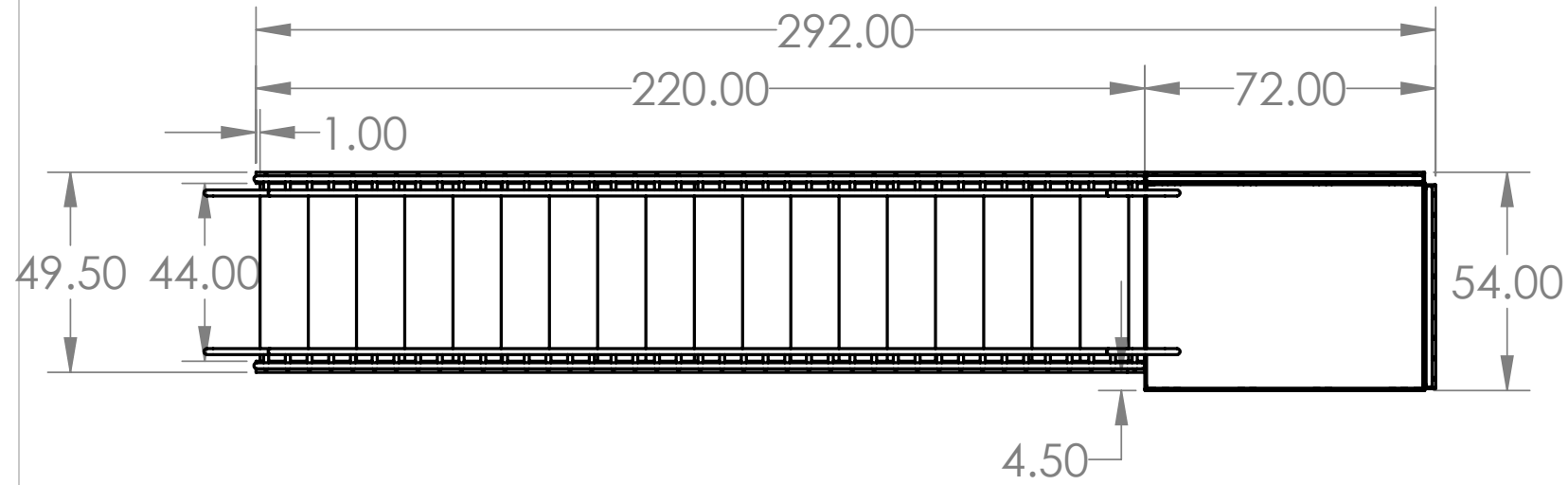
- PLACE THE BALUSTER LOCK (ITEM 2) UNDER THE PLATFORM Z CHANNEL.
- ANGLE SO IT FITS SNUG AGAINST THE BALUSTER (SEE DETAIL ABOVE).
- THE BOLT GOES IN FROM THE TOP THROUGH THE KEYHOLE.
- PLACE THE LOCKNUT UNDER THE BALUSTER LOCK AND TIGHTEN.
- THE BOLT DOES NOT HAVE TO SIT AT A RIGHT ANGLE TO THE CHANNEL AS LONG AS ITS TIGHT.

ITEM	KIT #	DESCRIPTION
1	1	Baluster Spacer
2	1	Baluster Lock
3	1	3/8-16 X 1" Carriage Bolt
4	1	3/8-16 X 2" Carriage Bolt
5	1	3/8-16 Serrated Lock Nut

**MOST PLATFORM PARTS NOT SHOW IN VIEW FOR CLARITY**

THIS DRAWING IS CONFIDENTIAL AND PROPRIETARY INFORMATION OF LAPEYRE STAIR, INC. IT MAY NOT BE COPIED OR DISCLOSED TO THIRD PARTIES WITHOUT THE WRITTEN AUTHORIZATION OF LAPEYRE STAIR.

REVISIONS			
REV.	DESCRIPTION	DATE	DRAWN



UNLESS OTHERWISE SPECIFIED  
DIMENSIONS ARE IN INCHES  
TOLERANCES ARE:  
FRACTIONS: DECIMALS ANGLES:  
± 1/16 .XX ±.016 ± 1°  
.XXX ±.005

**Lapeyre Stair, Inc.** 5117 Toler Street  
A SUBSIDIARY OF THE LAITRAM CORP. Harahan, LA 70123  
(800) 535-7631  
Fax: (504) 733-4393

DRAWN: DATE: 10/28/19

COMPANY:

APPROVAL: DATE:

Project/ Ref: Req-7294\_Right Exit

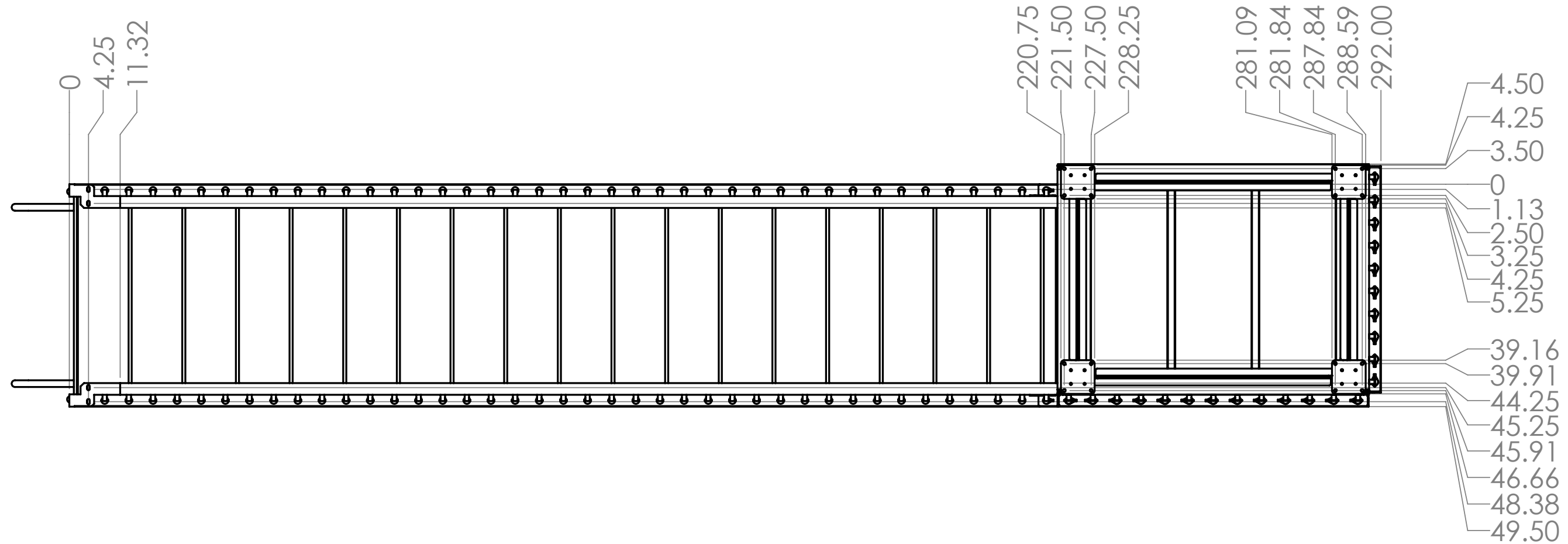
SCALE: None SHEET: 1 of 2 DO NOT SCALE THIS DRAWING

REV.  
0



THIS DRAWING IS CONFIDENTIAL AND PROPRIETARY INFORMATION OF LAPEYRE STAIR, INC. IT MAY NOT BE COPIED OR DISCLOSED TO THIRD PARTIES WITHOUT THE WRITTEN AUTHORIZATION OF LAPEYRE STAIR.

REVISIONS			
REV.	DESCRIPTION	DATE	DRAWN



## SECTION A-A SCALE 1 : 25

Unit Anchorage not provided by Lapeyre Stair:  
All anchors need to be capable of handling  
2400lbs of tension (pull out force) and  
500lbs of shear force.  
1/2" KB3's with a minimum 3-1/2" embedment  
Meet this requirement.

UNLESS OTHERWISE SPECIFIED  
DIMENSIONS ARE IN INCHES  
TOLERANCES ARE:  
FRACTIONS: DECIMALS ANGLES:  
± 1/16 .XX ±.016 ± 1°  
.XXX ±.005

**Lapeyre Stair, Inc.**  
A SUBSIDIARY OF THE LAITRAM CORP.

5117 Toler Street  
Harahan, LA 70123  
(800) 535-7631  
Fax: (504) 733-4393



DRAWN: DATE: 10/28/19

COMPANY:

APPROVAL: DATE:

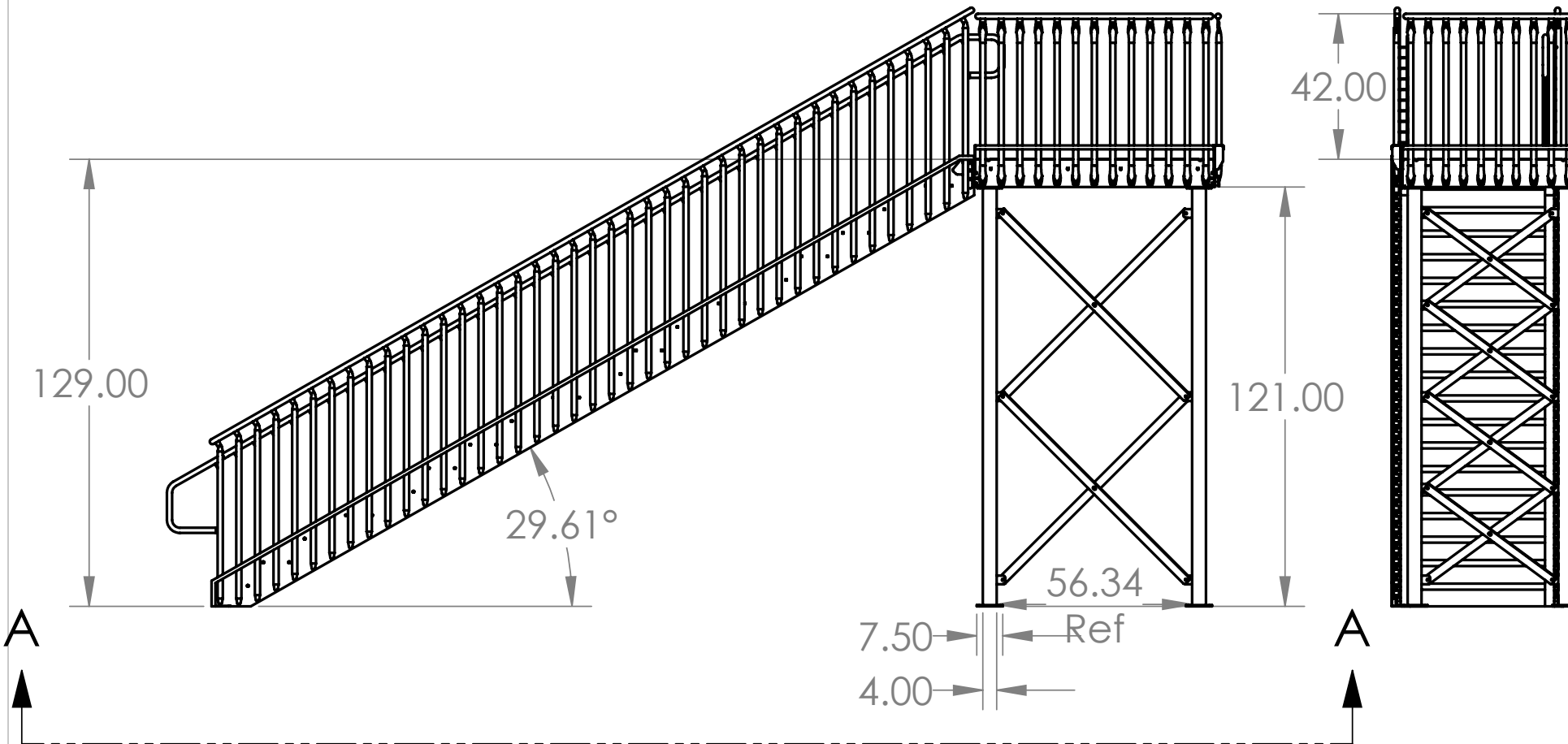
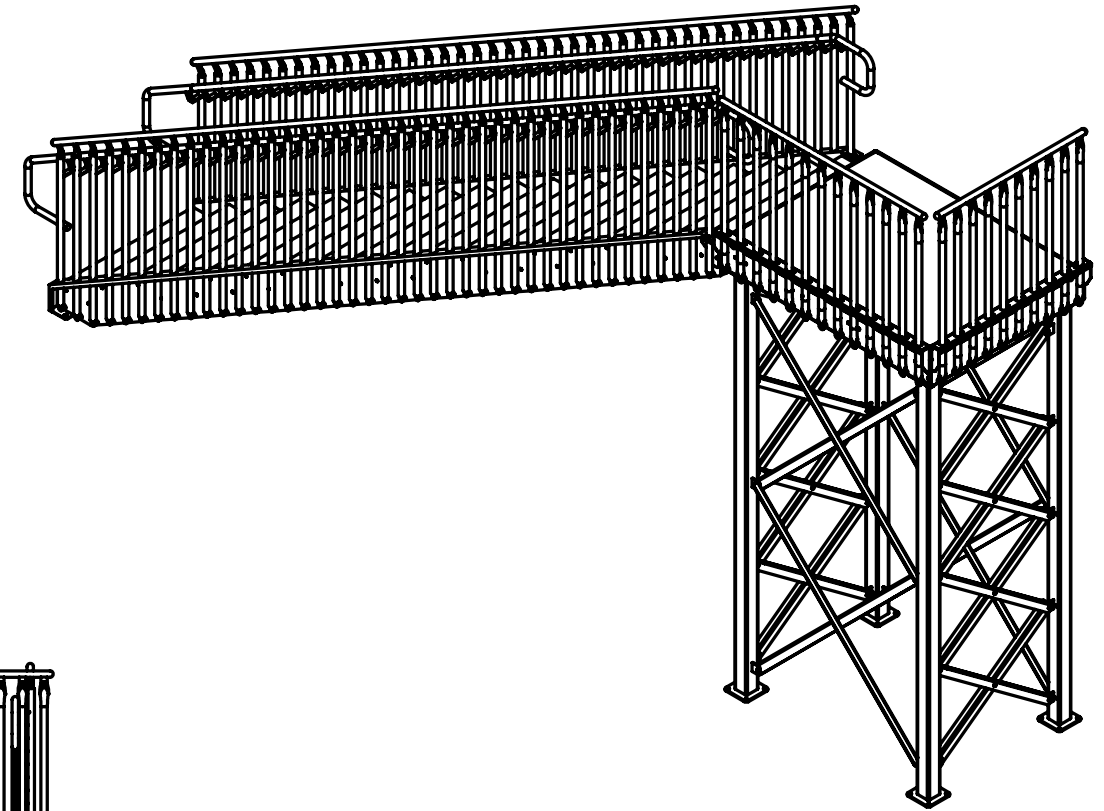
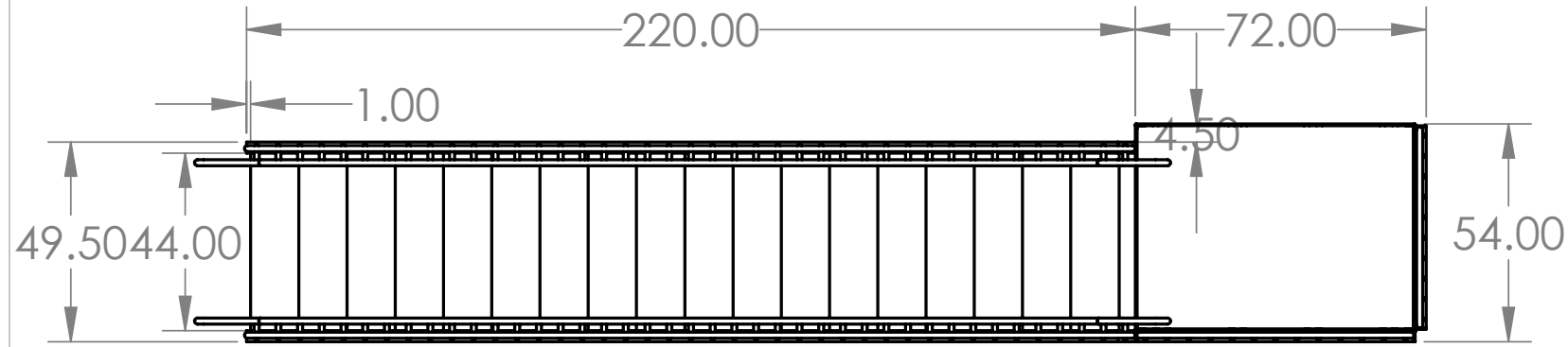
Project/ Ref: Req-7294\_Right Exit

SCALE: None SHEET: 2 of 2 DO NOT SCALE THIS DRAWING

REV.  
0

THIS DRAWING IS CONFIDENTIAL AND PROPRIETARY INFORMATION OF LAPEYRE STAIR, INC. IT MAY NOT BE COPIED OR DISCLOSED TO THIRD PARTIES WITHOUT THE WRITTEN AUTHORIZATION OF LAPEYRE STAIR.

REVISIONS			
REV.	DESCRIPTION	DATE	DRAWN



UNLESS OTHERWISE SPECIFIED  
DIMENSIONS ARE IN INCHES  
TOLERANCES ARE:  
FRACTIONS: DECIMALS ANGLES:  
± 1/16 .XX ±.016 ± 1°  
.XXX ±.005

**Lapeyre Stair, Inc.** 5117 Toler Street  
A SUBSIDIARY OF THE LAITRAM CORP. Harahan, LA 70123  
(800) 535-7631  
Fax: (504) 733-4393

DRAWN: DATE: 10/28/19

COMPANY:

APPROVAL: DATE:

Project/ Ref: Req-7294\_Left Exit

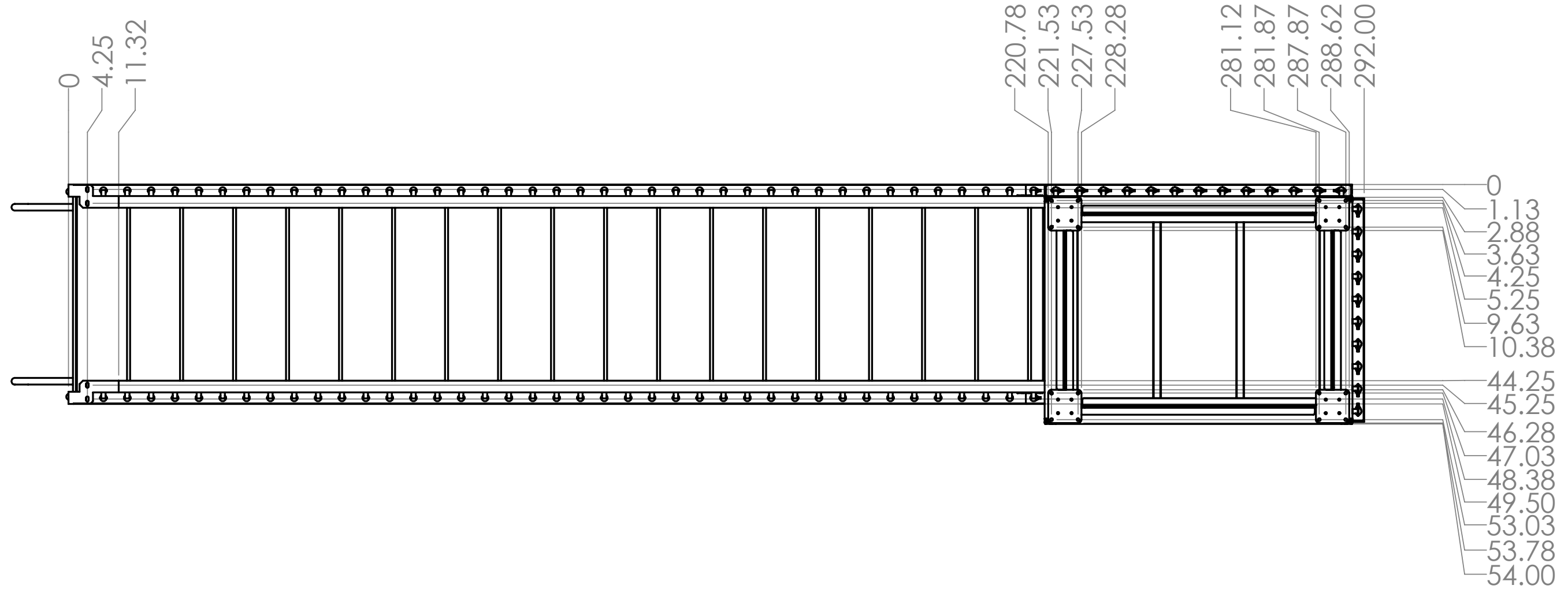
SCALE: None SHEET: 1 of 2 DO NOT SCALE THIS DRAWING

REV. 0



THIS DRAWING IS CONFIDENTIAL AND PROPRIETARY INFORMATION OF LAPEYRE STAIR, INC. IT MAY NOT BE COPIED OR DISCLOSED TO THIRD PARTIES WITHOUT THE WRITTEN AUTHORIZATION OF LAPEYRE STAIR.

REVISIONS			
REV.	DESCRIPTION	DATE	DRAWN



## SECTION A-A SCALE 1 : 25

Unit Anchorage not provided by Lapeyre Stair:  
All anchors need to be capable of handling  
2400lbs of tension (pull out force) and  
500lbs of shear force.  
1/2" KB3's with a minimum 3-1/2" embedment  
Meet this requirement.

UNLESS OTHERWISE SPECIFIED  
DIMENSIONS ARE IN INCHES  
TOLERANCES ARE:  
FRACTIONS: DECIMALS ANGLES:  
± 1/16 .XX ±.016 ± 1°  
.XXX ±.005

**Lapeyre Stair, Inc.**  
A SUBSIDIARY OF THE LAITRAM CORP.

5117 Toler Street  
Harahan, LA 70123  
(800) 535-7631  
Fax: (504) 733-4393

DRAWN:

DATE:  
10/28/19

COMPANY:

APPROVAL:

DATE:

Project/ Ref: Req-7294\_Left Exit

SCALE: None

SHEET: 2 of 2

**DO NOT SCALE THIS DRAWING**

REV.  
0

